

TYPES SN54167, SN74167 SYNCHRONOUS DECADE RATE MULTIPLIERS

DECEMBER 1972—REVISED DECEMBER 1983

- Perform Fixed-Rate or Variable-Rate Frequency Division
- For Applications in Arithmetic, Radar, Digital-to-Analog (D/A), Analog-to-Digital (A/D), and other Conversion Operations
- Typical Maximum Clock Frequency . . . 32 MHz

description

These monolithic, fully synchronous, programmable counters utilize Series 54/74 TTL circuitry to achieve 32-megahertz typical maximum operating frequencies. These decade counters feature buffered clock, clear, enable and set-to-nine inputs to control the operation of the counter, and a strobe input to enable or inhibit the rate input/decoding AND-OR-INVERT gates. The outputs have additional gating for cascading and transferring unity-count rates.

The counter is enabled when the clear, strobe set-to-nine, and enable inputs are low. With the counter enabled, the output frequency is equal to the input frequency multiplied by the rate input M and divided by 10, ie.:

$$f_{out} = \frac{M \cdot f_{in}}{10}$$

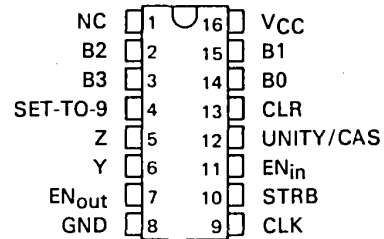
where: $M = B_3 \cdot 2^3 + B_2 \cdot 2^2 + B_1 \cdot 2^1 + B_0 \cdot 2^0$ for decimal zero through nine.

When the rate input is binary 0 (all rate inputs low), Z remains high. In order to cascade devices to perform two-decade rate multiplication (0-99), the enable output is connected to the enable and strobe inputs of the next stage, the Z output of each stage is connected to the unity/cascade input of the other stage, and the sub-multiple frequency is taken from the Y output. For longer words, see typical application data, Figure 1.

The unity/cascade input, when connected to the clock input, may be utilized to pass the clock frequency (inverted) to the Y output when the rate input/decoding gates are inhibited by the strobe. The unity/cascade input may also be used as a control for the Y output.

All of the inputs of these counters are diode-clamped, and each input, except the clock input, represents one normalized Series 54/74 load. The buffered clock input, used with the strobe gate, is only two Series 54/74 loads. Full fan-out to 10 Series 54/74 loads is available from each of the output. These devices are completely compatible with most TTL and DTL families. Typical dissipation is 270 milliwatts. The SN54167 is characterized for operation over the full military temperature range of -55°C to 125°C , and the SN74167 is characterized for operation from 0°C to 70°C .

SN54167 . . . J OR W PACKAGE
SN74167 . . . J OR N PACKAGE
(TOP VIEW)



NC—No internal connection

3

TTL DEVICES

PRODUCTION DATA

This document contains information current as of publication date. Products conform to specifications per the terms of Texas Instruments standard warranty. Production processing does not necessarily include testing of all parameters.

TEXAS
INSTRUMENTS

POST OFFICE BOX 225012 • DALLAS, TEXAS 75265

3-645

TYPES SN54167, SN74167 SYNCHRONOUS DECADE RATE MULTIPLIERS

STATE AND/OR RATE FUNCTION TABLE (See Note A)

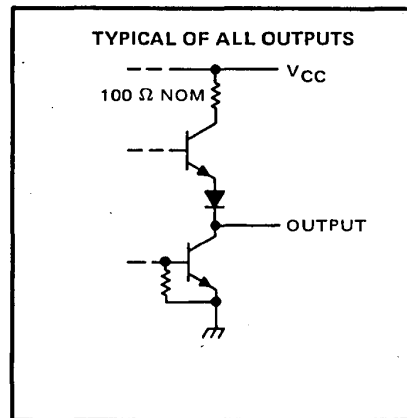
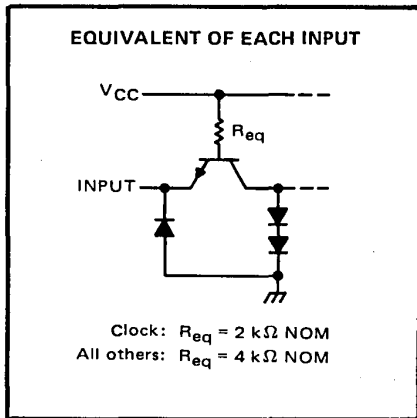
INPUTS									OUTPUTS			NOTES
CLEAR	ENABLE	STROBE	BCD RATE				NUMBER OF CLOCK PULSES	UNITY/ CASCADE	LOGIC LEVEL OR NUMBER OF PULSES			
			B3	B2	B1	B0			Y	Z	ENABLE	
H	X	H	X	X	X	X	X	H	L	H	H	B
L	L	L	L	L	L	L	10	H	L	H	1	C
L	L	L	L	L	L	H	10	H	1	1	1	C
L	L	L	L	L	H	L	10	H	2	2	1	C
L	L	L	L	L	H	H	10	H	3	3	1	C
L	L	L	L	H	L	L	10	H	4	4	1	C
L	L	L	L	H	L	H	10	H	5	5	1	C
L	L	L	L	H	H	L	10	H	6	6	1	C
L	L	L	L	H	H	H	10	H	7	7	1	C
L	L	L	H	L	L	L	10	H	8	8	1	C
L	L	L	H	L	L	H	10	H	9	9	1	C
L	L	L	H	L	H	L	10	H	8	8	1	C, D
L	L	L	H	L	H	H	10	H	9	9	1	C, D
L	L	L	H	H	L	L	10	H	8	8	1	C, D
L	L	L	H	H	L	H	10	H	9	9	1	C, D
L	L	L	H	H	H	L	10	H	8	8	1	C, D
L	L	L	H	H	H	H	10	H	9	9	1	C, D
L	L	L	H	L	L	H	10	L	H	9	1	E

- NOTES: A. H = high level, L = low level, X = irrelevant. All remaining entries are numeric counts.
 B. This is a simplified illustration of the clear function. The states of clock and strobe can affect the logic level of Y and Z. A low unity/cascade will cause output Y to remain high.
 C. Each rate illustrated assumes a constant value at rate inputs; however, these illustrations in no way prohibit variable-rate inputs.
 D. These input conditions exceed the range of the decimal rate inputs.
 E. Unity/cascade can be used to inhibit output Y.

3

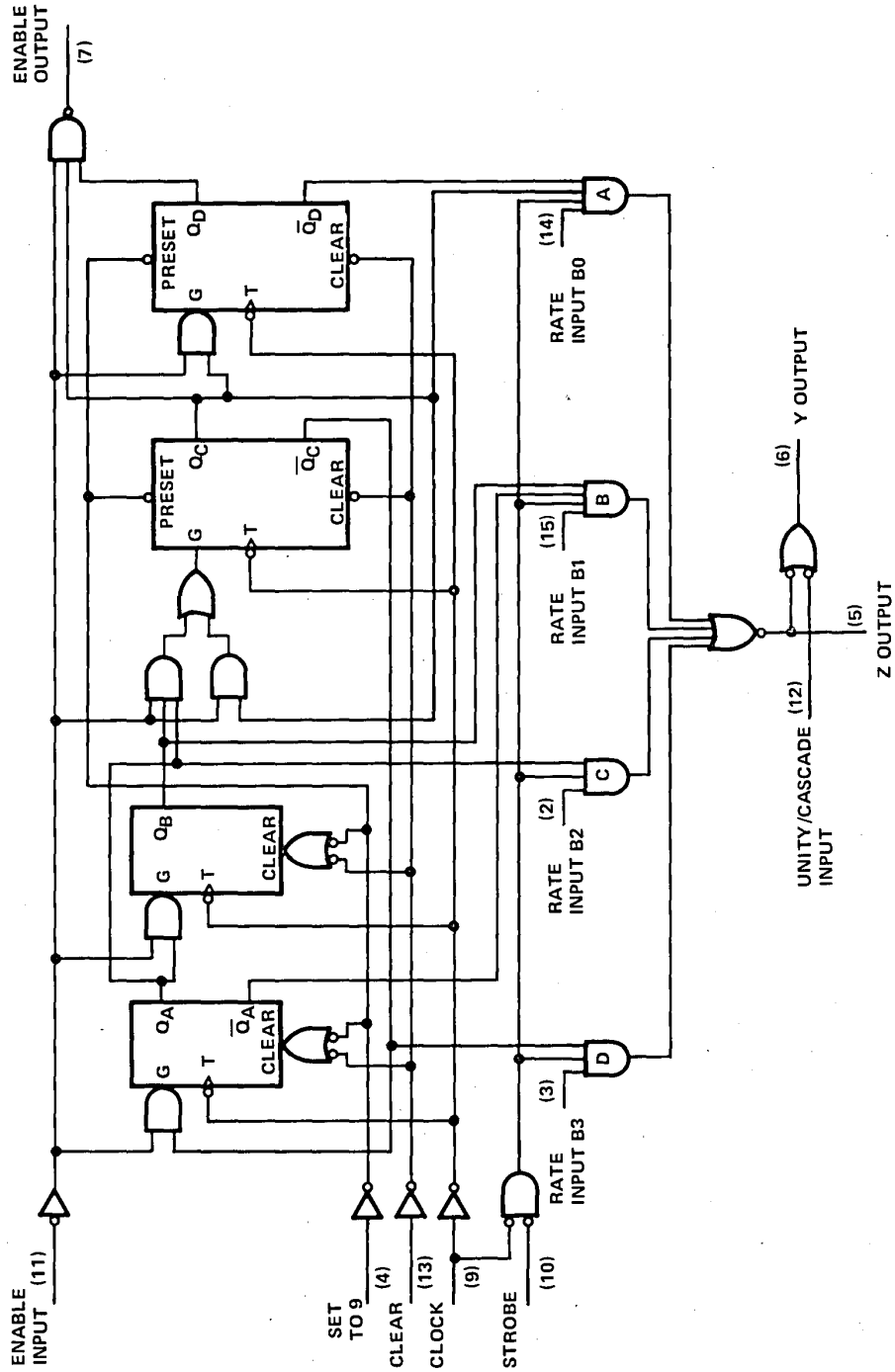
TTL DEVICES

schematics of inputs and outputs



TYPES SN54167, SN74167
 SYNCHRONOUS DECADE RATE MULTIPLIERS

logic diagram



Pin numbers shown on logic notation are for J or N packages.



TTL DEVICES

3

TEXAS INSTRUMENTS

POST OFFICE BOX 225012 • DALLAS, TEXAS 75265

3-647

TYPES SN54167, SN74167 SYNCHRONOUS DECADE RATE MULTIPLIERS

absolute maximum ratings over operating free-air temperature range (unless otherwise noted)

Supply voltage, V_{CC} (see Note 1)	7 V
Input voltage	5.5 V
Operating free-air temperature range: SN54167	-55°C to 125°C
SN74167	0°C to 70°C
Storage temperature range	-65°C to 150°C

NOTE 1: Voltage values are with respect to network ground terminal.

recommended operating conditions

	SN54167			SN74167			UNIT
	MIN	NOM	MAX	MIN	NOM	MAX	
Supply voltage, V_{CC}	4.5	5	5.5	4.75	5	5.25	V
High-level output current, I_{OH}			-400			-400	μ A
Low-level output current, I_{OL}			16			16	mA
Clock frequency, f_{clock}	0		25	0		25	MHz
Width of clock pulse, $t_w(clock)$	20			20			ns
Width of clear pulse, $t_w(clear)$	15			15			ns
Width of set-to-nine pulse $t_w(set-to-9)$	15			15			ns
Enable setup time, t_{SU} : (See Note 2)							
From positive-going transition of clock pulse	25			25			ns
From negative-going transition of previous clock pulse	0	$t_w(clock)-10$		0	$t_w(clock)-10$		ns
Enable hold time, t_H : (See Note 2)							
From positive-going transition of clock pulse	0	$t_w(clock)-10$		0	$t_w(clock)-10$		ns
From negative-going transition of previous clock pulse	20	$t_{cp}-10$		20	$t_{cp}-10$		ns
Operating free-air temperature, T_A	-55		125	0		70	°C

NOTE 2: $t_w(clock)$ is the interval in which the clock is high. t_{cp} is the total clock cycle starting with a negative transition. See Figure 1 on SN5497, SN7497 data sheet.

electrical characteristics over recommended operating free-air temperature range (unless otherwise noted)

PARAMETER		TEST CONDITIONS†	MIN	TYP‡	MAX	UNIT
V_{IH}	High-level input voltage		2			V
V_{IL}	Low-level input voltage				0.8	V
V_I	Input clamp voltage	$V_{CC} = \text{MIN}, I_I = -12 \text{ mA}$			-1.5	V
V_{OH}	High-level output voltage	$V_{CC} = \text{MIN}, V_{IH} = 2 \text{ V}, V_{IL} = 0.8 \text{ V}, I_{OH} = -400 \mu\text{A}$	2.4	3.4		V
V_{OL}	Low-level output voltage	$V_{CC} = \text{MIN}, V_{IH} = 2 \text{ V}, V_{IL} = 0.8 \text{ V}, I_{OL} = 16 \text{ mA}$		0.2	0.4	V
I_I	Input current at maximum input voltage	$V_{CC} = \text{MAX}, V_I = 5.5 \text{ V}$			1	mA
I_{IH}	High-level input current	clock input			80	μ A
		other inputs	$V_{CC} = \text{MAX}, V_I = 2.4 \text{ V}$		40	
I_{IL}	Low-level input current	clock inputs			-3.2	mA
		other inputs	$V_{CC} = \text{MAX}, V_I = 0.4 \text{ V}$		-1.6	
I_{OS}	Short circuit output current§	$V_{CC} = \text{MAX}$	-18		-55	mA
I_{CCH}	Supply current, output high	$V_{CC} = \text{MAX},$ See Note 3		43		mA
I_{CCL}	Supply current, output low	$V_{CC} = \text{MAX},$ See Note 4		65	99	mA

NOTES: 3. I_{CCH} is measured with outputs open and all inputs low.

4. I_{CCL} is measured with outputs open and all inputs high except the set-to-nine input which is low.

† For test conditions shown as MIN or MAX, use the appropriate value specified under recommended operating conditions for the applicable device type.

‡ All typical values are at $V_{CC} = 5 \text{ V}, T_A = 25^\circ \text{C}$.

§ Not more than one output should be shorted at a time.

3

TTL DEVICES

TYPES SN54167, SN74167 SYNCHRONOUS DECADE RATE MULTIPLIERS

switching characteristics, $V_{CC} = 5\text{ V}$, $T_A = 25^\circ\text{C}$

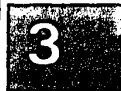
PARAMETERS ¹⁾	FROM INPUT	TO OUTPUT	TEST CONDITIONS	MIN	TYP	MAX	UNIT
f_{max}			$C_L = 15\text{ pF}$, $R_L = 400\ \Omega$, See Note 5	25	32		MHz
t_{PLH}	Enable	Enable			13	20	ns
t_{PHL}					14	21	
t_{PLH}	Strobe	Z			12	18	ns
t_{PHL}					15	23	
t_{PLH}	Clock	Y			26	39	ns
t_{PHL}					20	30	
t_{PLH}	Clock	Z			12	18	ns
t_{PHL}					17	26	
t_{PLH}	Rate	Z			9	14	ns
t_{PHL}					6	10	
t_{PLH}	Unity/Cascade	Y			9	14	ns
t_{PHL}					6	10	
t_{PLH}	Strobe	Y			19	30	ns
t_{PHL}					22	33	
t_{PLH}	Clock	Enable			19	30	ns
t_{PHL}					22	33	
t_{PLH}	Clear	Y			24	36	ns
t_{PHL}		Z			15	23	
t_{PHL}	Set-to-9	Enable			18	27	ns
t_{PLH}	Any Rate Input	Y			15	23	ns
t_{PHL}						15	

¹⁾ f_{max} is maximum clock frequency.

t_{PLH} is propagation delay time, low-to-high-level output.

t_{PHL} is propagation delay time, high-to-low-level output.

NOTE 5: Load circuit, voltage waveforms, and input conditions for measuring switching characteristics are the same as those for the SN5497 and SN7497.



TTL DEVICES

**TYPES SN54167, SN74167
SYNCHRONOUS DECADE RATE MULTIPLIERS**

TYPICAL APPLICATION DATA

This application demonstrates how the decimal-rate multipliers may be cascaded for longer words. Three decades are illustrated (0.999 to 999) although longer words can be implemented by using the pattern shown. The output is decoded either from output Y with a NOR gate or from output Z with a NAND gate. Either method of decoding produces the complement of the output used.

