

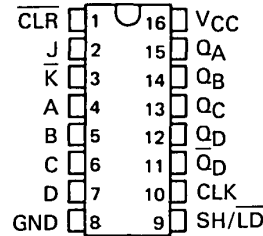
TYPES SN54195, SN54LS195A, SN54S195, SN74195, SN74LS195A, SN74S195 4-BIT PARALLEL-ACCESS SHIFT REGISTERS

MARCH 1974—REVISED APRIL 1985

- Synchronous Parallel Load
- Positive-Edge-Triggered Clocking
- Parallel Inputs and Outputs from Each Flip-Flop
- Direct Overriding Clear
- J and \bar{K} Inputs to First Stage
- Complementary Outputs from Last Stage
- For Use in High Performance: Accumulators/Processors, Serial-to-Parallel, Parallel-to-Serial Converters

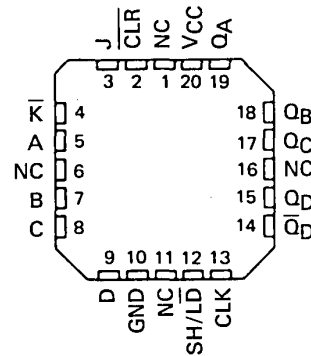
SN54195, SN54LS195A, SN54S195 ... J OR W PACKAGE
SN74195 ... J OR N PACKAGE
SN74LS195A, SN74S195 ... D, J OR N PACKAGE

(TOP VIEW)



SN54LS195, SN54S195 ... FK PACKAGE
SN74LS195, SN74S195 ... FN PACKAGE

(TOP VIEW)



NC - No internal connection

description

These 4-bit registers feature parallel inputs, parallel outputs, J-K serial inputs, shift/load control input, and a direct overriding clear. All inputs are buffered to lower the input drive requirements. The registers have two modes of operation:

- Parallel (broadside) load
- Shift (in the direction Q_A toward Q_D)

Parallel loading is accomplished by applying the four bits of data and taking the shift/load control input low. The data is loaded into the associated flip-flop and appears at the outputs after the positive transition of the clock input. During loading, serial data flow is inhibited.

Shifting is accomplished synchronously when the shift/load control input is high. Serial data for this mode is entered at the J-K inputs. These inputs permit the first stage to perform as a J-K, D-, or T-type flip-flop as shown in the function table.

The high-performance 'S195, with a 105-megahertz typical maximum shift-frequency, is particularly attractive for very-high-speed data processing systems. In most cases existing systems can be upgraded merely by using this Schottky-clamped shift register.

TYPE	TYPICAL MAXIMUM CLOCK FREQUENCY	TYPICAL POWER DISSIPATION
'195	39 MHz	195 mW
'LS195A	39 MHz	70 mW
'S195	105 MHz	350 mW

FUNCTION TABLE

CLEAR	SHIFT/ LOAD	CLOCK	INPUTS				OUTPUTS						
			SERIAL		PARALLEL		Q_A	Q_B	Q_C	Q_D	\bar{Q}_D		
			J	\bar{K}	A	B	C	D					
L	X	X	X	X	X	X	X	X	L	L	L	L	H
H	L	↑	X	X	a	b	c	d	a	b	c	d	\bar{d}
H	H	L	X	X	X	X	X	X	Q_{A0}	Q_{B0}	Q_{C0}	Q_{D0}	\bar{Q}_{D0}
H	H	↑	L	H	X	X	X	X	Q_{A0}	Q_{A0}	Q_{Bn}	Q_{Cn}	\bar{Q}_{Cn}
H	H	↑	L	L	X	X	X	X	L	Q_{An}	Q_{Bn}	Q_{Cn}	\bar{Q}_{Cn}
H	H	↑	H	H	X	X	X	X	H	Q_{An}	Q_{Bn}	Q_{Cn}	\bar{Q}_{Cn}
H	H	↑	H	L	X	X	X	X	\bar{Q}_{An}	Q_{An}	Q_{Bn}	Q_{Cn}	\bar{Q}_{Cn}

H = high level (steady state)
L = low level (steady state)
X = irrelevant (any input, including transitions)
↑ = transition from low to high level
a, b, c, d = the level of steady-state input at A, B, C, or D, respectively
 $Q_{A0}, Q_{B0}, Q_{C0}, Q_{D0}$ = the level of $Q_A, Q_B, Q_C,$ or Q_D , respectively, before the indicated steady-state input conditions were established
 Q_{An}, Q_{Bn}, Q_{Cn} = the level of $Q_A, Q_B,$ or Q_C , respectively, before the most-recent transition of the clock

PRODUCTION DATA
This document contains information current as of publication date. Products conform to specifications per the terms of Texas Instruments standard warranty. Production processing does not necessarily include testing of all parameters.

TEXAS
INSTRUMENTS

POST OFFICE BOX 225012 • DALLAS, TEXAS 75265

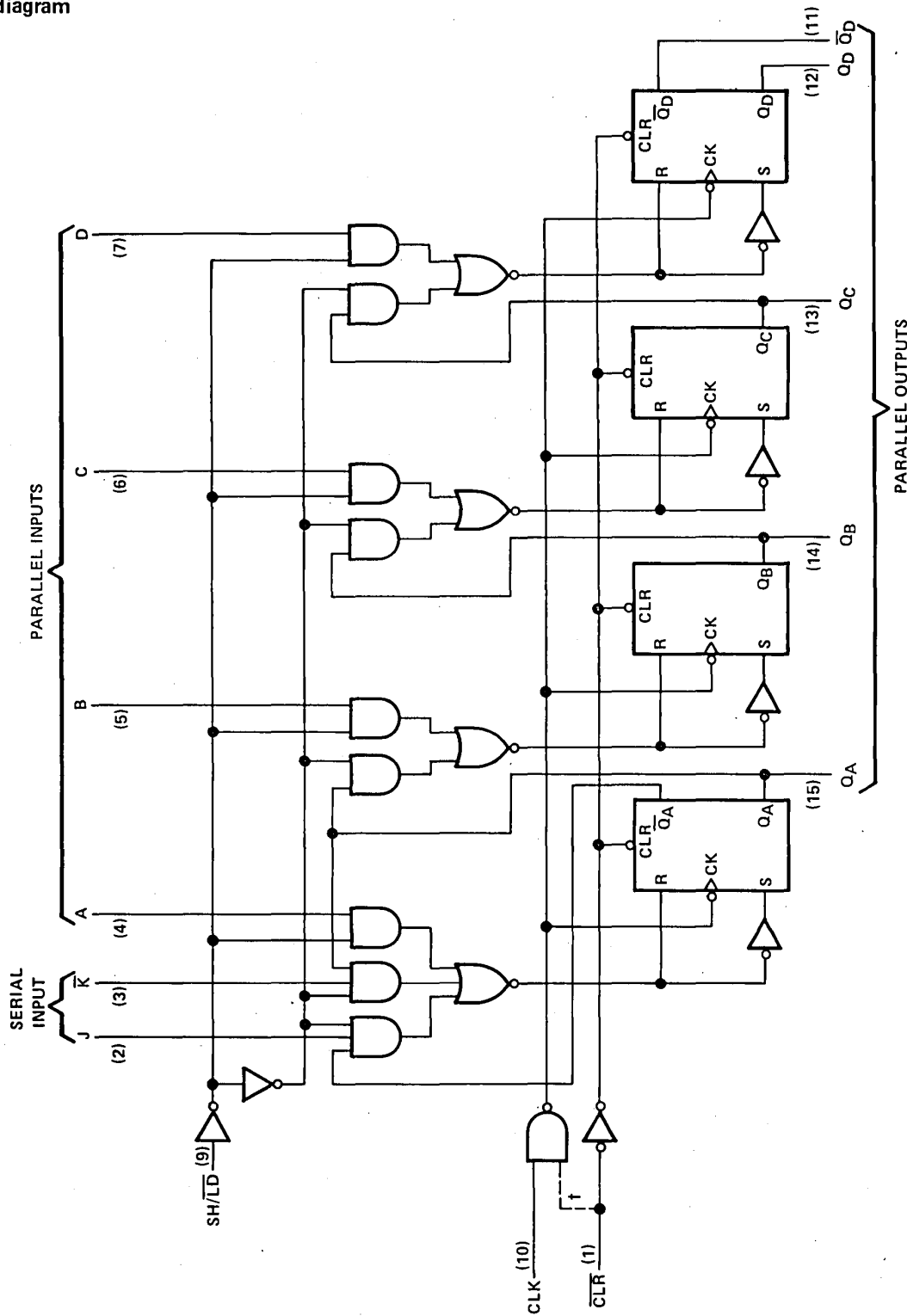
3-779



TTL DEVICES

TYPES SN54195, SN54LS195A, SN54S195,
 SN74195, SN74LS195A, SN74S195
 4-BIT PARALLEL-ACCESS SHIFT REGISTERS

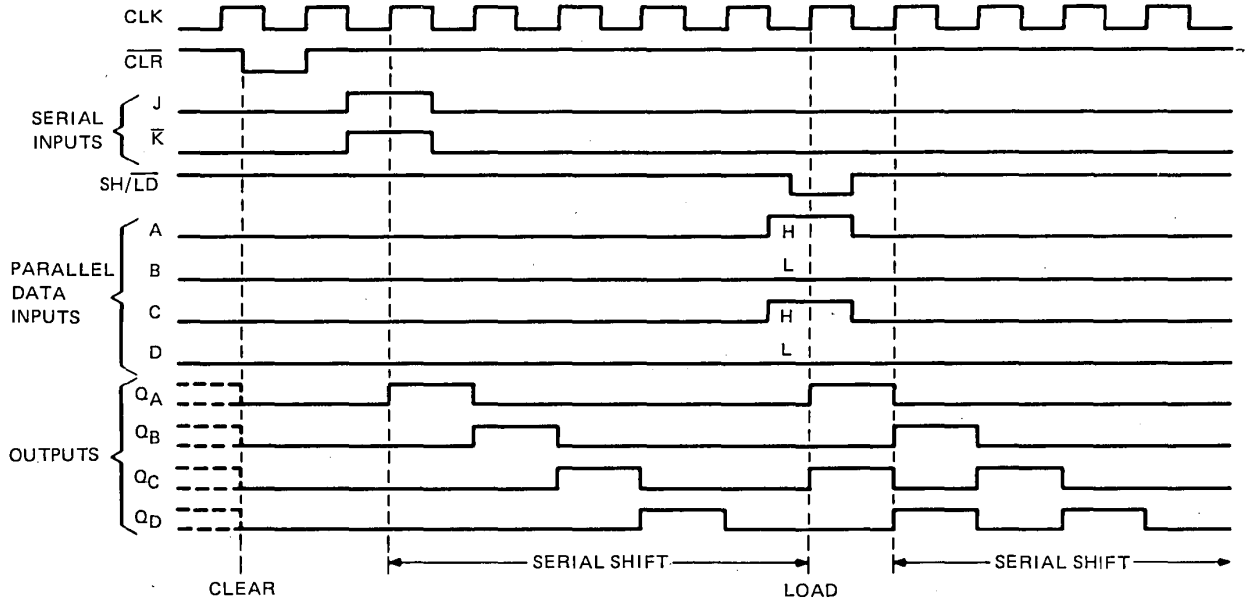
logic diagram



† This connection is made on '195 only.
 Pin numbers shown on logic notation are for D, J or N packages.

TYPES SN54195, SN54LS195A, SN54S195,
 SN74195, SN74LS195A, SN74S195
 4-BIT PARALLEL-ACCESS SHIFT REGISTERS

typical clear, shift, and load sequences

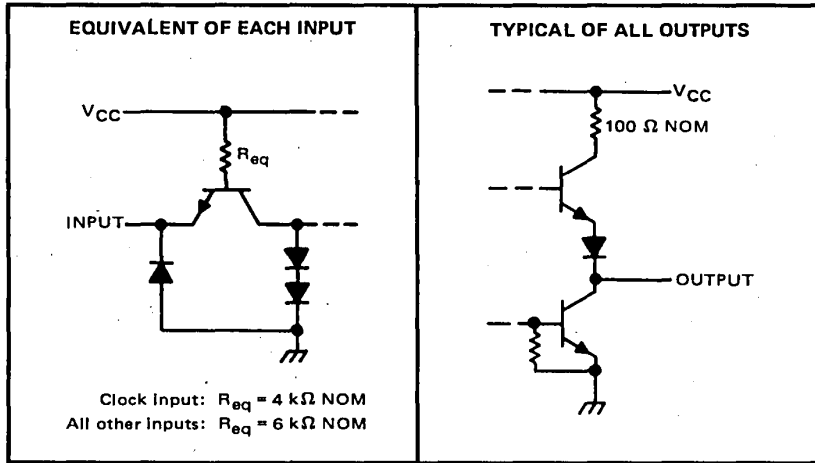


TTL DEVICES

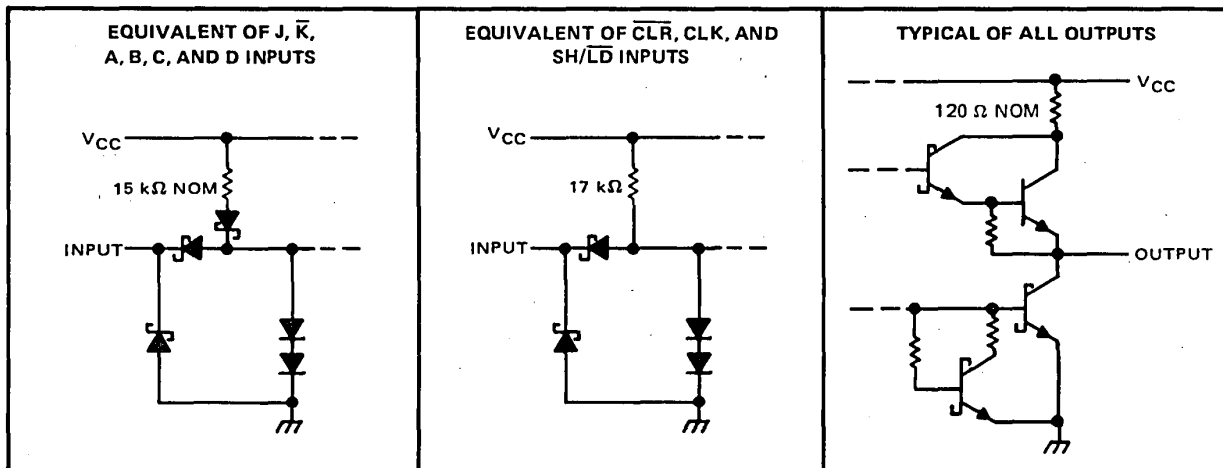
TYPES SN54195, SN54LS195A, SN54S195, SN74195, SN74LS195A, SN74S195
4-BIT PARALLEL-ACCESS SHIFT REGISTERS

schematics of inputs and outputs

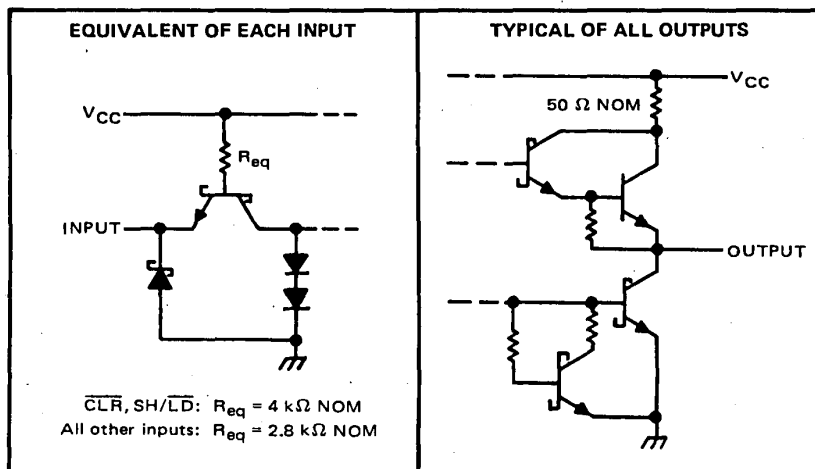
'195



'LS195A



'S195



3

TTL DEVICES

TYPES SN54195, SN74195 4-BIT PARALLEL-ACCESS SHIFT REGISTERS

absolute maximum ratings over operating free-air temperature range (unless otherwise noted)

Supply voltage, V_{CC} (see Note 1)	7 V
Input voltage	5.5 V
Operating free-air temperature range: SN54195	-55°C to 125°C
SN74195	0°C to 70°C
Storage temperature range	-65°C to 150°C

NOTE 1: Voltage values are with respect to network ground terminal.

recommended operating conditions

	SN54195			SN74195			UNIT
	MIN	NOM	MAX	MIN	NOM	MAX	
Supply voltage, V_{CC}	4.5	5	5.5	4.75	5	5.25	V
High-level output current, I_{OH}			-800			-800	μ A
Low-level output current, I_{OL}			16			16	mA
Clock frequency, f_{clock}	0		30	0		30	MHz
Width of clock input pulse, $t_w(\text{clock})$	16			16			ns
Width of clear input pulse, $t_w(\text{clear})$	12			12			ns
Setup time, t_{su} (see Figure 1)	Shift/load		25	25			ns
	Serial and parallel data		20	20			
	Clear inactive-state		25	25			
Shift/load release time, $t_{release}$ (see Figure 1)			20			10	ns
Serial and parallel data hold time, t_h (see Figure 1)	0			0			ns
Operating free-air temperature, T_A	-55		125	0		70	°C

electrical characteristics over recommended operating free-air temperature range (unless otherwise noted)

PARAMETER	TEST CONDITIONS†	MIN	TYP‡	MAX	UNIT
V_{IH} High-level input voltage			2		V
V_{IL} Low-level input voltage				0.8	V
V_{IK} Input clamp voltage	$V_{CC} = \text{MIN}, I_I = -12 \text{ mA}$			-1.5	V
V_{OH} High-level output voltage	$V_{CC} = \text{MIN}, V_{IH} = 2 \text{ V}, V_{IL} = 0.8 \text{ V}, I_{OH} = -800 \mu\text{A}$	2.4	3.4		V
V_{OL} Low-level output voltage	$V_{CC} = \text{MIN}, V_{IH} = 2 \text{ V}, V_{IL} = 0.8 \text{ V}, I_{OL} = 16 \text{ mA}$		0.2	0.4	V
I_I Input current at maximum input voltage	$V_{CC} = \text{MAX}, V_I = 5.5 \text{ V}$			1	mA
I_{IH} High-level input current	$V_{CC} = \text{MAX}, V_I = 2.4 \text{ V}$			40	μ A
I_{IL} Low-level input current	$V_{CC} = \text{MAX}, V_I = 0.4 \text{ V}$			-1.6	mA
I_{OS} Short-circuit output current§	$V_{CC} = \text{MAX}$	SN54195	-20	-57	mA
		SN74195	-18	-57	
I_{CC} Supply current	$V_{CC} = \text{MAX},$ See Note 2		39	63	mA

† For conditions shown as MIN or MAX, use the appropriate value specified under recommended operating conditions.

‡ All typical values are at $V_{CC} = 5 \text{ V}, T_A = 25^\circ\text{C}$.

§ Not more than one output should be shorted at a time.

NOTE 2: With all outputs open, shift/load grounded, and 4.5 V applied to the J, \bar{K} , and data inputs, I_{CC} is measured by applying a momentary ground, followed by 4.5 V, to clear and then applying a momentary ground, followed by 4.5 V, to clock.

switching characteristics, $V_{CC} = 5 \text{ V}, T_A = 25^\circ\text{C}$

PARAMETER	TEST CONDITIONS	MIN	TYP	MAX	UNIT
f_{max} Maximum clock frequency	$C_L = 15 \text{ pF}, R_L = 400 \Omega,$ See Figure 1	30	39		MHz
t_{PHL} Propagation delay time, high-to-low-level output from clear			19	30	ns
t_{PLH} Propagation delay time, low-to-high-level output from clock			14	22	ns
t_{PHL} Propagation delay time, high-to-low-level output from clock			17	26	ns

TEXAS
INSTRUMENTS

POST OFFICE BOX 225012 • DALLAS, TEXAS 75265

3-783

3

TTL DEVICES

TYPES SN54LS195A, SN74LS195A 4-BIT PARALLEL-ACCESS SHIFT REGISTERS

absolute maximum ratings over operating free-air temperature range (unless otherwise noted)

Supply voltage, V_{CC} (see Note 1)	7 V
Input voltage	7 V
Operating free-air temperature range: SN54LS195A	-55°C to 125°C
SN74LS195A	0°C to 70°C
Storage temperature range	-65°C to 150°C

NOTE 1: Voltage values are with respect to network ground terminal.

recommended operating conditions

	SN54LS195A			SN74LS195A			UNIT
	MIN	NOM	MAX	MIN	NOM	MAX	
Supply voltage, V_{CC}	4.5	5	5.5	4.75	5	5.25	V
High-level output current, I_{OH}			-400			-400	μ A
Low-level output current, I_{OL}			4			8	mA
Clock frequency, f_{clock}	0		30	0		30	MHz
Width of clock or clear pulse, $t_w(\text{clock})$			16			16	ns
Width of clear input pulse, $t_w(\text{clear})$			12			12	ns
Setup time, t_{su} (see Figure 1)	Shift/load		25			25	ns
	Serial and parallel data		15			15	
	Clear inactive-state		25			25	
Shift/load release time, $t_{release}$ (see Figure 1)			20			20	ns
Serial and parallel data hold time, t_h (see Figure 1)			0			0	ns
Operating free-air temperature, T_A	-55		125	0		70	°C

electrical characteristics over recommended operating free-air temperature range (unless otherwise noted)

PARAMETER	TEST CONDITIONS†	SN54LS195A			SN74LS195A			UNIT	
		MIN	TYP‡	MAX	MIN	TYP‡	MAX		
V_{IH} High-level input voltage		2			2			V	
V_{IL} Low-level input voltage				0.7			0.8	V	
V_{IK} Input clamp voltage	$V_{CC} = \text{MIN}, I_I = -18 \text{ mA}$			-1.5			-1.5	V	
V_{OH} High-level output voltage	$V_{CC} = \text{MIN}, V_{IH} = 2 \text{ V}, V_{IL} = V_{IL \text{ max}}, I_{OH} = -400 \mu\text{A}$	2.5	3.4		2.7	3.4		V	
V_{OL} Low-level output voltage	$V_{CC} = \text{MIN}, V_{IH} = 2 \text{ V}, V_{IL} = V_{IL \text{ max}}$			0.25	0.4		0.25	0.4	V
	$I_{OL} = 4 \text{ mA}$						0.35	0.5	
	$I_{OL} = 8 \text{ mA}$								
I_I Input current at maximum input voltage	$V_{CC} = \text{MAX}, V_I = 7 \text{ V}$			0.1			0.1	mA	
I_{IH} High-level input current	$V_{CC} = \text{MAX}, V_I = 2.7 \text{ V}$			20			20	μ A	
I_{IL} Low-level input current	$V_{CC} = \text{MAX}, V_I = 0.4 \text{ V}$			-0.4			-0.4	mA	
I_{OS} Short-circuit output current §	$V_{CC} = \text{MAX}$	-20		-100	-20		-100	mA	
I_{CC} Supply current	$V_{CC} = \text{MAX},$ See Note 2			14	21		14	21	mA

† For conditions shown as MIN or MAX, use the appropriate value specified under recommended operating conditions.

‡ All typical values are at $V_{CC} = 5 \text{ V}, T_A = 25^\circ\text{C}$.

§ Not more than one output should be shorted at a time, and duration of the short-circuit should not exceed one second.

NOTE 2: With all outputs open, shift/load grounded, and 4.5 V applied to the J, K, and data inputs, I_{CC} is measured by applying a momentary ground, followed by 4.5 V, to clear and then applying a momentary ground, followed by 4.5 V, to clock.

switching characteristics, $V_{CC} = 5 \text{ V}, T_A = 25^\circ\text{C}$

PARAMETER	TEST CONDITIONS	MIN	TYP	MAX	UNIT
f_{max} Maximum clock frequency	$C_L = 15 \text{ pF}, R_L = 2 \text{ k}\Omega,$ See Figure 1	30	39		MHz
t_{PHL} Propagation delay time, high-to-low-level output from clear			19	30	ns
t_{PLH} Propagation delay time, low-to-high-level output from clock			14	22	ns
t_{PHL} Propagation delay time, high-to-low-level output from clock			17	26	ns

TYPES SN54S195, SN74S195 4-BIT PARALLEL-ACCESS SHIFT REGISTERS

absolute maximum ratings over operating free-air temperature range (unless otherwise noted)

Supply voltage, V_{CC} (see Note 1)	7	V
Input voltage	5.5	V
Operating free-air temperature range: SN54S195	-55	°C to 125°C
SN74S195	0	°C to 70°C
Storage temperature range	-65	°C to 150°C

NOTE 1: Voltage values are with respect to network ground terminal.

recommended operating conditions

	SN54S195			SN74S195			UNIT
	MIN	NOM	MAX	MIN	NOM	MAX	
Supply voltage, V_{CC}	4.5	5	5.5	4.75	5	5.25	V
High-level output current, I_{OH}			-1			-1	mA
Low-level output current, I_{OL}			20			20	mA
Clock frequency, f_{clock}	0		70	0		70	MHz
Width of clock input pulse, $t_{w(clock)}$	7			7			ns
Width of clear input pulse, $t_{w(clear)}$	12			12			ns
Setup time, t_{SU} (see Figure 1)	Shift/load		11			11	ns
	Serial and parallel data		5			5	
	Clear inactive-state		9			9	
Shift/load release time, $t_{release}$ (see Figure 1)			6			6	ns
Serial and parallel data hold time, t_H (see Figure 1)			3			3	ns
Operating free-air temperature, T_A	-55		125	0		70	°C

electrical characteristics over recommended operating free-air temperature range (unless otherwise noted)

PARAMETER	TEST CONDITIONS†		MIN	TYP‡	MAX	UNIT
V_{IH} High-level input voltage			2			V
V_{IL} Low-level input voltage					0.8	V
V_{IK} Input clamp voltage	$V_{CC} = \text{MIN}, I_I = -18 \text{ mA}$				-1.2	V
V_{OH} High-level output voltage	$V_{CC} = \text{MIN}, V_{IH} = 2 \text{ V}, V_{IL} = 0.8 \text{ V}, I_{OH} = -1 \text{ mA}$	SN54S195	2.5	3.4		V
		SN74S195	2.7	3.4		
V_{OL} Low-level output voltage	$V_{CC} = \text{MIN}, V_{IH} = 2 \text{ V}, V_{IL} = 0.8 \text{ V}, I_{OL} = 20 \text{ mA}$				0.5	V
I_I Input current at maximum input voltage	$V_{CC} = \text{MAX}, V_I = 5.5 \text{ V}$				1	mA
I_{IH} High-level input current	$V_{CC} = \text{MAX}, V_I = 2.7 \text{ V}$				50	µA
I_{IL} Low-level input current	$V_{CC} = \text{MAX}, V_I = 0.5 \text{ V}$				-2	mA
I_{OS} Short-circuit output current§	$V_{CC} = \text{MAX}$		-40		-100	mA
I_{CC} Supply current	$V_{CC} = \text{MAX},$ See Note 2	SN54S195		70	99	mA
		SN74S195		70	109	

† For conditions shown as MIN or MAX, use the appropriate value specified under recommended operating conditions.

‡ All typical values are at $V_{CC} = 5 \text{ V}, T_A = 25^\circ \text{C}$.

§ Not more than one output should be shorted at a time, and duration of the short-circuit should not exceed one second.

NOTE 2: With all outputs open, shift/load grounded, and 4.5 V applied to the J, K, and data inputs, I_{CC} is measured by applying a momentary ground, followed by 4.5 V, to clear, and then applying a momentary ground, followed by 4.5 V, to clock.

switching characteristics, $V_{CC} = 5 \text{ V}, T_A = 25^\circ \text{C}$

PARAMETER	TEST CONDITIONS	MIN	TYP	MAX	UNIT	
f_{max} Maximum clock frequency	$C_L = 15 \text{ pF},$ $R_L = 280 \Omega,$ See Figure 1	70	105		MHz	
t_{PHL} Propagation delay time, high-to-low-level output from clear			12.5	18.5	ns	
t_{PLH} Propagation delay time, low-to-high-level output from clock				8	12	ns
t_{PHL} Propagation delay time, high-to-low-level output from clock				11	16.5	ns


**TEXAS
INSTRUMENTS**

POST OFFICE BOX 225012 • DALLAS, TEXAS 75265

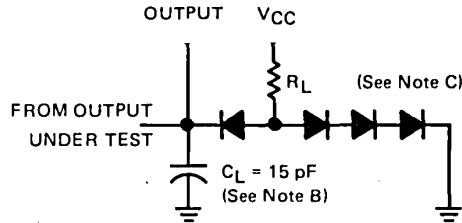
3-785

3

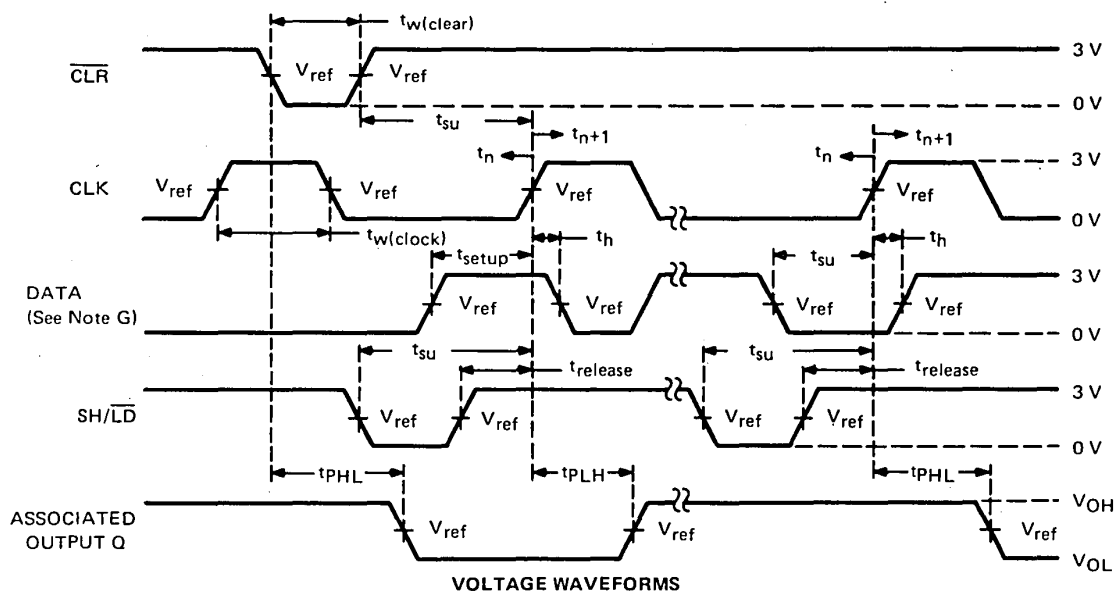
TTL DEVICES

**TYPES SN54195, SN54LS195A, SN54S195,
SN74195, SN74LS195A, SN74S195
4-BIT PARALLEL-ACCESS SHIFT REGISTERS**

PARAMETER MEASUREMENT INFORMATION



LOAD FOR OUTPUT UNDER TEST



VOLTAGE WAVEFORMS

- NOTES:**
- A. The clock pulse generator has the following characteristics: $Z_{out} \approx 50 \Omega$ and $PRR \leq 1 \text{ MHz}$. For '195, $t_r \leq 7 \text{ ns}$ and $t_f \leq 7 \text{ ns}$. For 'LS195A, $t_r \leq 15 \text{ ns}$ and $t_f \leq 6 \text{ ns}$. For 'S195, $t_r = 2.5 \text{ ns}$ and $t_f = 2.5 \text{ ns}$. When testing f_{max} , vary the clock PRR.
 - B. C_L includes probe and jig capacitance.
 - C. All diodes are 1N3064 or equivalent.
 - D. A clear pulse is applied prior to each test.
 - E. For '195 and 'S195, $V_{ref} = 1.5 \text{ V}$; for 'LS195A, $V_{ref} = 1.3 \text{ V}$.
 - F. Propagation delay times (t_{PLH} and t_{PHL}) are measured at t_{n+1} . Proper shifting of data is verified at t_{n+4} with a functional test.
 - G. J and K inputs are tested the same as data A, B, C, and D inputs except that shift/load input remains high.
 - H. t_n = bit time before clocking transition.
 t_{n+1} = bit time after one clocking transition.
 t_{n+4} = bit time after four clocking transitions.

FIGURE 1—SWITCHING TIMES