

- Mask-Programmed Memories That Can Replace PROMs
- Full On-Chip Decoding and Fast Chip Select(s) Simplify System Decoding
- All Schottky-Clamped ROMs Offer
 - Choice of 3-State or Open-Collector Outputs
 - P-N-P Inputs for Reduced Loading on System Buffers/Drivers
- Applications Include:
 - Microprogramming Firmware/Firmware Loaders
 - Code Converters/Character Generators
 - Translators/Emulators
 - Address Mapping/Look-Up Tables

TYPE NUMBER (PACKAGES)		TYPE OF OUTPUT(S)	BIT SIZE (ORGANIZATION)	TYPICAL ACCESS TIMES	
–55°C to 125°C	0°C to 70°C			CHIP-SELECT	ADDRESS
SN5488A(J, W)	SN7488A(J, N)	Open-Collector	256 Bits (32 W x 8 B)	22 ns	26 ns
SN54187(J, W)	SN74187(J, N)	Open-Collector	1024 Bits (256 W x 4 B)	20 ns	40 ns
SN54S270(J)	SN74S270(J, N)	Open-Collector	2048 Bits (512 W x 4 B)	15 ns	45 ns
SN54S370(J)	SN74S370(J, N)	3-State			
SN54S271(J)	SN74S271(J, N)	Open-Collector	2048 Bits (256 W x 8 B)	15 ns	45 ns
SN54S371(J)	SN74S371(J, N)	3-State			

description

These monolithic TTL custom-programmed read-only memories (ROMs) are particularly attractive for applications requiring medium to large quantities of the same bit pattern. Plug-in replacements can be obtained for most of the popular TTL PROMs.

The high-complexity 2048-bit ROMs can be used to significantly improve system bit density for fixed memory as all are offered in compact 16- or 20-pin dual-in-line packages having pin-row spacings of 0.300-inch.

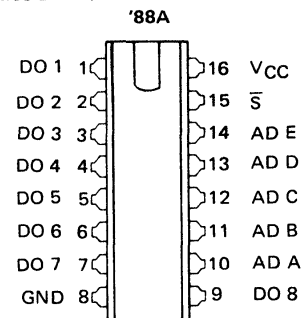
The Schottky-clamped versions offer considerable flexibility for upgrading existing designs or improving new designs as they feature improved performance; plus, they offer low-current MOS-compatible p-n-p inputs, choice of bus-driving three-state or open-collector outputs, and improved chip-select access times.

Data from a sequenced deck of data cards punched according to the specified format are permanently programmed by the factory into the monolithic structure for all bit locations. Upon receipt of the order, Texas Instruments will assign a special identifying number for each pattern programmed according to the order. The completed devices will be marked with the appropriate TI special device number. It is important that the customer specify not only the output levels desired at all bit locations, but also the other information requested under ordering instructions.

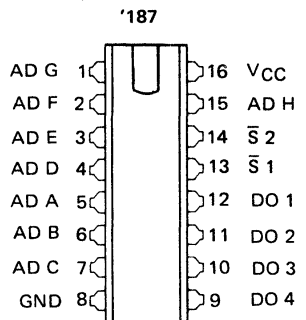
The three-state outputs offer the convenience of an open-collector output with the speed of a totem-pole output: they can be bus-connected to other similar outputs yet they retain the fast rise time characteristic of the TTL totem-pole output. The open-collector outputs offer the capability of direct interface with a data line having a passive pull-up.

Word-addressing is accomplished in straight positive-logic binary and the memory may be read when all \bar{S} inputs are low. A high at any \bar{S} input causes the outputs to be off.

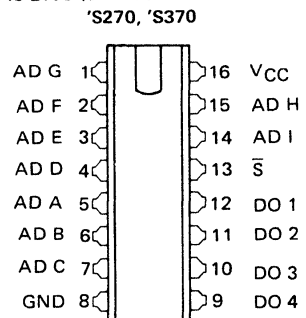
256 BITS (32 WORDS BY 8 BITS)



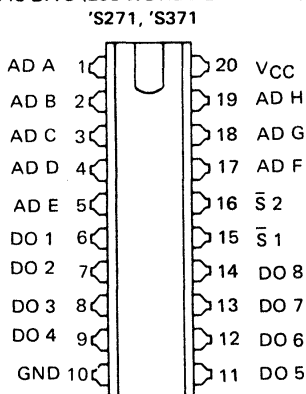
1024 BITS (256 WORDS BY 4 BITS)



2048 BITS (512 WORDS BY 4 BITS)



2048 BITS (256 WORDS BY 8 BITS)

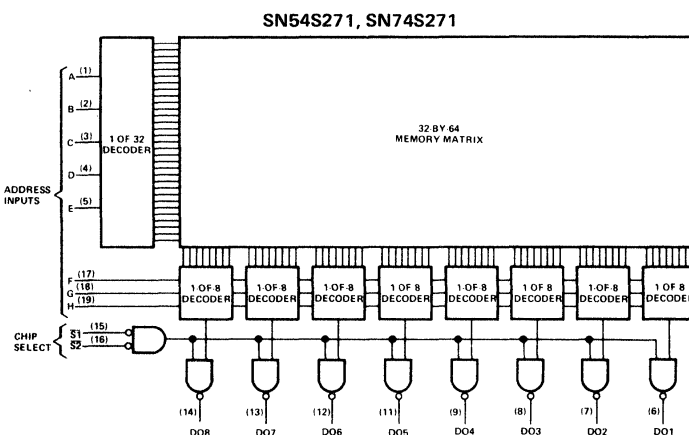
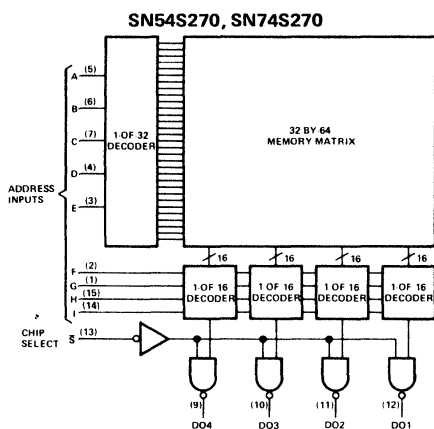
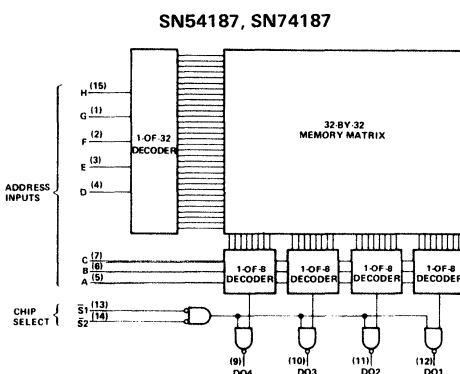
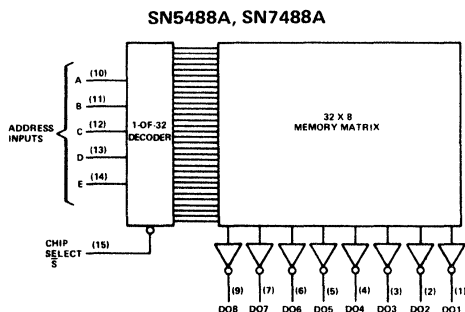


Pin assignments for all of these memories are the same for all packages.

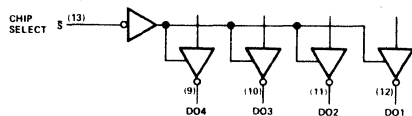
SERIES 54/74, 54S/74S

READ-ONLY MEMORIES

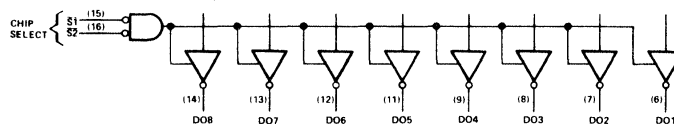
functional block diagrams



SN54S370, SN74S370
Same as SN54S270, SN74S270 except outputs are as shown below:



SN54S371, SN74S371
Same as SN54S271, SN74S271 except outputs are as shown below:



word addressing

'88A

WORD ADDRESS TABLE

WORD	INPUTS				
	E	D	C	B	A
0	L	L	L	L	L
1	L	L	L	L	H
2	L	L	L	H	L
3	L	L	L	H	H
4	L	L	H	L	L
5	L	L	H	L	H
6	L	L	H	H	L
7	L	L	H	H	H
8	L	H	L	L	L
9 thru 26	omitted				
27	H	H	L	H	H
28	H	H	H	L	L
29	H	H	H	L	H
30	H	H	H	H	L
31	H	H	H	H	H

'187, 'S271, 'S371

WORD ADDRESS TABLE

WORD	INPUTS							
	H	G	F	E	D	C	B	A
0	L	L	L	L	L	L	L	L
1	L	L	L	L	L	L	L	H
2	L	L	L	L	L	L	H	L
3	L	L	L	L	L	L	H	H
4	L	L	L	L	H	L	L	L
5	L	L	L	L	H	L	H	H
6	L	L	L	L	H	H	L	L
7	L	L	L	L	H	H	H	H
8	L	L	L	H	L	L	L	L
9 thru 250	omitted							
251	H	H	H	H	H	L	H	H
252	H	H	H	H	H	L	L	L
253	H	H	H	H	H	L	H	H
254	H	H	H	H	H	L	H	L
255	H	H	H	H	H	L	H	H

'S270, 'S370

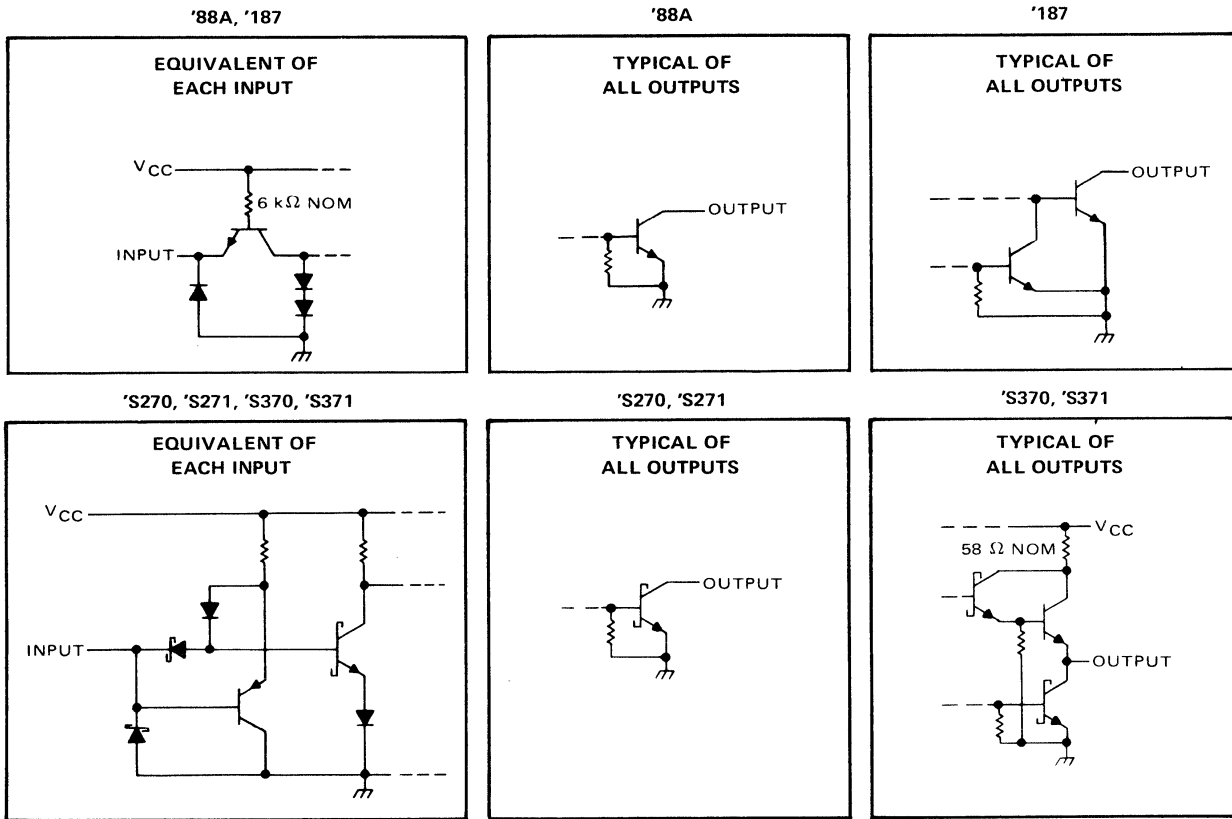
WORD ADDRESS TABLE

WORD	INPUTS								
	I	H	G	F	E	D	C	B	A
0	L	L	L	L	L	L	L	L	L
1	L	L	L	L	L	L	L	L	H
2	L	L	L	L	L	L	L	H	L
3	L	L	L	L	L	L	L	H	H
4	L	L	L	L	L	H	L	L	L
5	L	L	L	L	L	H	L	H	H
6	L	L	L	L	L	H	H	L	L
7	L	L	L	L	L	H	H	H	H
8	L	L	L	L	H	L	L	L	L
9 thru 506	omitted								
507	H	H	H	H	H	L	H	H	H
508	H	H	H	H	H	L	L	L	L
509	H	H	H	H	H	L	H	H	H
510	H	H	H	H	H	L	H	L	L
511	H	H	H	H	H	L	H	H	H

Word selection is accomplished in a conventional positive-logic binary code with the A address input being the least-significant bit progressing alphabetically through the address inputs to the most-significant bit.

SERIES 54/74, 54S/74S READ-ONLY MEMORIES

schematics of inputs and outputs



absolute maximum ratings over operating free-air temperature range (unless otherwise noted)

Supply voltage, V _{CC} (see Note 1)	7 V
Input voltage	5.5 V
Off-state output voltage	5.5 V
Operating free-air temperature range: SN54', SN54S' Circuits (see Note 2)	-55°C to 125°C
SN74', SN74S' Circuits	0°C to 70°C
Storage temperature range	-65°C to 150°C

4

recommended operating conditions

		'88A			'187, 'S270, 'S271			'S370, 'S371			UNIT
		MIN	NOM	MAX	MIN	NOM	MAX	MIN	NOM	MAX	
Supply voltage, V _{CC} (See Note 1)	SN54'	4.5	5	5.5	4.5	5	5.5	4.5	5	5.5	V
	SN74'	4.75	5	5.25	4.75	5	5.25	4.75	5	5.25	
High-level output voltage, V _{OH}				5.5			5.5			5.5	V
High-level output current, I _{OH}	SN54'									-2	mA
	SN74'									-6.5	
Low-level output current, I _{OL}				12			16			16	mA
Operating free-air temperature, T _A (See Note 2)	SN54'	-55		125	-55		125	-55		125	°C
	SN74'	0		70	0		70	0		70	

- NOTES: 1. Voltage values are with respect to network ground terminal.
 2. An SN54187 in the W package operating at free-air temperatures above 111°C requires a heat sink that provides a thermal resistance from case-to-free-air, R_{θCA}, of not more than 46°C/W.

SERIES 54S/74S

READ-ONLY MEMORIES

electrical characteristics over recommended operating free-air temperature range (unless otherwise noted)

PARAMETER	TEST CONDITIONS†	'S270, 'S271			'S370, 'S371			UNIT
		MIN	TYP‡	MAX	MIN	TYP‡	MAX	
V _{IH}	High-level input voltage	2			2			V
V _{IL}	Low-level input voltage	0.8			0.8			V
V _{IK}	Input clamp voltage	V _{CC} = MIN, I _I = -18 mA			-1.2			V
V _{OH}	High-level output voltage	V _{CC} = MIN, V _{IH} = 2 V, V _{IL} = 0.8 V, I _{OH} = MAX			2.4			V
I _{OH}	High-level output current	V _{CC} = MIN, V _{IH} = 2 V, V _{IL} = 0.8 V, V _{OH} = 2.4 V			50			μA
		V _{OH} = 5.5 V			100			μA
V _{OL}	Low-level output voltage	V _{CC} = MIN, V _{IH} = 2 V, V _{IL} = 0.8 V, I _{OL} = MAX			0.5			V
I _{OZH}	Off-state output current, high-level voltage applied	V _{CC} = MAX, V _{IH} = 2 V, V _O = 2.4 V			50			μA
I _{OZL}	Off-state output current low-level voltage applied	V _{CC} = MAX, V _{IH} = 2 V, V _O = 0.5 V			-50			μA
I _I	Input current at maximum input voltage	V _{CC} = MAX, V _I = 5.5 V			1			mA
I _{IH}	High-level input current	V _{CC} = MAX, V _I = 2.7 V			25			μA
I _{IL}	Low-level input current	V _{CC} = MAX, V _I = 0.5 V			-0.25			mA
I _{OS}	Short-circuit output current §	V _{CC} = MAX			-30 -100			mA
I _{CC}	Supply current	V _{CC} = MAX, See Note 4			105 155 105 155			mA
C _O	Off-state output capacitance	V _{CC} = 5 V, V _O = 5 V, f = 1 MHz			6.5 6.5			pF

† For conditions shown as MIN or MAX, use the appropriate value specified under recommended operating conditions.

‡ All typical values are at V_{CC} = 5 V, T_A = 25°C.

§ Not more than one output should be shorted at a time and duration of the short-circuit should not exceed one second.

NOTE 4: With outputs open and CS input(s) grounded, I_{CC} is measured first by selecting a word that contains the maximum number of programmed high-level outputs; then by selecting a word that contains the maximum number of programmed low-level outputs.

switching characteristics over recommended ranges of T_A and V_{CC} (unless otherwise noted)

PARAMETER	TEST CONDITIONS	SN54S270		SN74S270		SN54S370		SN74S370		UNIT
		SN54S271	TYP‡	MAX	SN74S271	TYP‡	MAX	SN54S371	TYP‡	
t _{a(ad)}	Access time from address	45	95	45	70					ns
t _{a(̄S)}	Access time from chip select (enable time)	15	45	15	30					ns
t _{pLH}	Propagation delay time, low-to-high-level output from chip select (disable time)	15	40	15	25					ns
t _{a(ad)}	Access time from address					45	95	45	70	ns
t _{a(̄S)}	Access time from chip select (enable time)					15	45	15	30	ns
t _{pXZ}	Disable time from high or low level					10	40	10	25	ns

‡ All typical values are at V_{CC} = 5 V, T_A = 25°C.

SERIES 54/74 READ-ONLY MEMORIES

electrical characteristics over recommended operating free-air temperature range (unless otherwise noted)

PARAMETER	TEST CONDITIONS†	'88A		'187		UNIT
		MIN	TYP‡	MAX	MIN	
V _{IH} High-level input voltage		2			2	V
V _{IL} Low-level input voltage				0.8		0.8 V
V _{IK} Input clamp voltage	V _{CC} = MIN, I _I = -12 mA			-1.5		-1.5 V
I _{OH} High-level output current	V _{CC} = MIN, V _{IH} = 2 V, V _{IL} = 0.8 V, V _{OH} = 5.5 V			40		40 μA
V _{OL} Low-level output voltage	V _{CC} = MIN, V _{IH} = 2 V, V _{IL} = 0.8 V, I _{OL} = 12 mA		0.2	0.4		0.4 V
	V _{CC} = MIN, V _{IH} = 2 V, V _{IL} = 0.8 V, I _{OL} = 16 mA					0.45
I _I Input current at maximum input voltage	V _{CC} = MAX, V _I = 5.5 V			1		1 mA
I _{IH} High-level input current	V _{CC} = MAX, V _I = 2.4 V			25		40 μA
I _{IL} Low-level input current	V _{CC} = MAX, V _I = 0.4 V			-1		-1 mA
I _{CC} Supply current	V _{CC} = MAX, See Note 3		64	80		92 130 mA
C _O Off-state output capacitance	V _{CC} = 5 V, V _O = 5 V, f = 1 MHz		6.5			6.5 pF

† For conditions shown as MIN or MAX, use the appropriate value specified under recommended operating conditions.

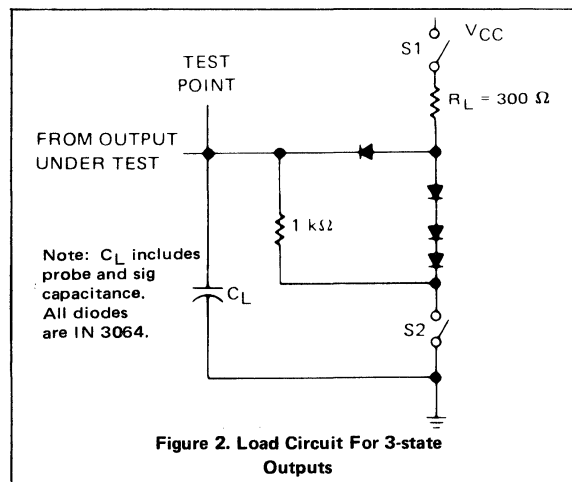
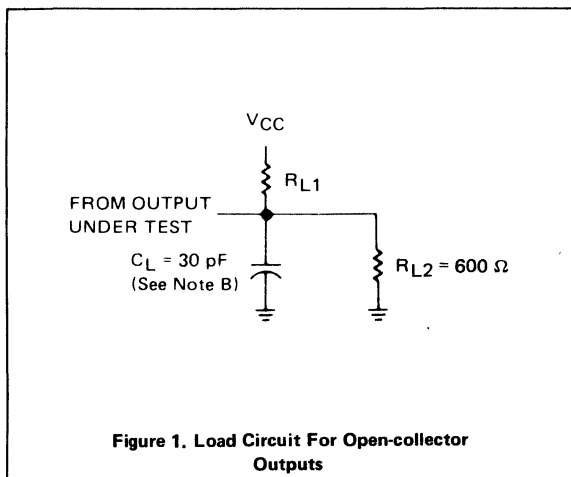
‡ All typical values are at V_{CC} = 5 V, T_A = 25°C.

NOTE 3: With outputs open and CS input(s) grounded, I_{CC} is measured first by selecting a word that contains the maximum number of programmed high-level outputs, then by selecting a word that contains the maximum number of programmed low-level outputs.

switching characteristics, V_{CC} = 5 V, T_A = 25°C

PARAMETER	TEST CONDITIONS	'88A		'187		UNIT
		TYP	MAX	TYP	MAX	
t _{a(ad)} Access time from address	C _L = 30 pF, R _{L1} = 400 Ω ('88A) 300 Ω ('187) R _{L2} = 600 Ω, See Figure 1	26	45	40	60	ns
t _{a(̄S)} Access time from chip select (enable time)		22	35	20	30	ns
t _{pLH} Propagation delay time, low-to-high-level output from chip select (disable time)		22	35	20	30	ns

parameter measurement information



4

SERIES 54/74, 54S/74S TTL READ-ONLY MEMORIES

ORDERING INSTRUCTIONS

Programming instructions for these read-only memories are solicited in the form of a sequenced deck of standard 80-column data cards providing the information requested under "data card format," accompanied by a properly sequenced listing of these cards, and the supplementary ordering data. Upon receipt of these items, a computer run will be made from the deck of cards which will produce a complete function table for the requested part. This function table, showing output conditions for each of the words, will be forwarded to the purchaser as verification of the input data as interpreted by the computer-automated design (CAD) program. This single run also generates mask and test program data; therefore, verification of the function table should be completed promptly.

Each card in the data deck prepared by the purchaser identifies the words specified and describes the levels at the outputs for each of those words. All addresses must have all outputs defined and columns designated as "blank" must not be punched. Cards should be punched according to the data card format shown.

SUPPLEMENTARY ORDERING DATA

Submit the following information with the data cards:

- a) Customer's name and address
- b) Customer's purchase order number
- c) Customer's drawing number.

The following information will be furnished to the customer by Texas Instruments:

- a) TI part number
- b) TI sales order number
- c) Date received.

'88A DATA CARD FORMAT (32 CARDS)

Column

- 1-2 Punch a right-justified integer representing the positive-logic binary input address (00-31) for the word described on the card.
- 3-4 Blank
- 5 Punch "H" or "L" for output Y8. H = high-voltage-level output, L = low-voltage-level output
- 6-9 Blank
- 10 Punch "H" or "L" for output DO 7.
- 11-14 Blank

- 15 Punch "H" or "L" for output DO 6.
- 16-19 Blank
- 20 Punch "H" or "L" for output DO 5.
- 21-24 Blank
- 25 Punch "H" or "L" for output DO 4.
- 26-29 Blank
- 30 Punch "H" or "L" for output DO 3.
- 31-34 Blank
- 35 Punch "H" or "L" for output DO 2.
- 36-39 Blank
- 40 Punch "H" or "L" for output DO 1.
- 41-49 Blank
- 50-51 Punch a right-justified integer representing the current calendar day of the month.
- 52 Blank
- 53-55 Punch an alphabetic abbreviation representing the current month.
- 56 Blank
- 57-58 Punch the last two digits of the current year.
- 59 Blank
- 60-61 Punch "SN"
- 62-66 Punch a left-justified integer representing the Texas Instruments part number. This is supplied by the factory through a TI sales representative.
- 67-68 Blank
- 69-80 Preferably these columns should be punched to reflect the customer's part or specification-control number. This information is not essential.

'187 DATA CARD FORMAT (32 CARDS)

Column

- 1-3 Punch a right-justified integer representing the binary input address (000-248) for the first set of outputs described on the card.
- 4 Punch a "-" (Minus sign)
- 5-7 Punch a right-justified integer representing the binary input address (007-255) for the last set of outputs described on the card.
- 8-9 Blank

SERIES 54/74, 54S/74S TTL READ-ONLY MEMORIES

ORDERING INSTRUCTIONS

- 10-13 Punch "H", "L", or "X" for bits four, three, two, and one (outputs DO 4, DO 3, DO 2 and DO 1 in that order) for the first set of outputs specified on the card. H = high-voltage-level output, L = low-voltage-level output, X = output level irrelevant.
- 14 Blank
- 15-18 Punch "H", "L", or "X" for the second set of outputs.
- 19 Blank
- 20-23 Punch "H", "L", or "X" for the third set of outputs.
- 24 Blank
- 25-28 Punch "H", "L", or "X" for the fourth set of outputs.
- 29 Blank
- 30-33 Punch "H", "L", or "X" for the fifth set of outputs.
- 34 Blank
- 35-38 Punch "H", "L", or "X" for the sixth set of outputs.
- 39 Blank
- 40-43 Punch "H", "L", or "X" for the seventh set of outputs.
- 44 Blank
- 45-48 Punch "H", "L", or "X" for the eighth set of outputs.
- 49 Blank
- 50-51 Punch a right-justified integer representing the current calendar day of the month.
- 52 Blank
- 53-55 Punch an alphabetic abbreviation representing the current month.
- 56 Blank
- 57-58 Punch the last two digits of the current year.
- 59 Blank
- 60-61 Punch "SN"
- 62-66 Punch a left-justified integer representing the Texas Instruments part number. This is supplied by the factory through a TI sales representative.
- 67-68 Blank

- 69-80 Preferably these columns should be punched to reflect the customer's part or specification-control number. This information is not essential.

'S270, 'S370 DATA CARD FORMAT (64 CARDS)

Column

- 1-3 Punch a right-justified integer representing the binary input address (000-504) for the first set of outputs described on the card.
- 4 Punch a "-" (Minus sign)
- 5-7 Punch a right-justified integer representing the binary input address (007-511) for the last set of outputs described on the card.
- 8-80 Same as the '187 data card format.

'S271, 'S371 DATA CARD FORMAT (64 CARDS)

Column

- 1-3 Punch a right-justified integer representing the binary input address (000-252) for the first set of outputs described on the card.
- 4 Punch a "-" (Minus sign)
- 5-7 Punch a right-justified integer representing the binary input address (003-255) for the last set of outputs described on the card.
- 8-9 Blank
- 10-17 Punch "H", "L", or "X" for bits eight, seven, six, five, four, three, two, and one (outputs DO 8, DO 7, DO 6, DO 5, DO 4, DO 3, DO 2, and DO 1 in that order) for the first set of outputs specified on the card. H = high-voltage-level output, L = low-voltage-level output, X = output level irrelevant.
- 18 Blank
- 19-26 Punch "H", "L", or "X" for the second set of outputs.
- 27 Blank
- 28-35 Punch "H", "L", or "X" for the third set of outputs.
- 36 Blank
- 37-44 Punch "H", "L", or "X" for the fourth set of outputs.
- 45-49 Blank
- 50-80 Same as the '187 data card format.

PRINTED IN U.S.A.

TI cannot assume any responsibility for any circuits shown or represent that they are free from patent infringement.

TEXAS INSTRUMENTS RESERVES THE RIGHT TO MAKE CHANGES AT ANY TIME IN ORDER TO IMPROVE DESIGN AND TO SUPPLY THE BEST PRODUCT POSSIBLE.

TEXAS INSTRUMENTS
INCORPORATED
POST OFFICE BOX 5012 • DALLAS, TEXAS 75222