

TYPES SN54LS690 THRU SN54LS693, SN74LS690 THRU SN74LS693 SYNCHRONOUS COUNTERS WITH OUTPUT REGISTERS AND MULTIPLEXED 3-STATE OUTPUTS

D2423, JANUARY 1981

- 4-Bit Counters/Registers
- Multiplexed Outputs for Counter or Latched Data
- 3-State Outputs Drive Bus Lines Directly
- 'LS690 . . . Decade Counter, Direct Clear
- 'LS691 . . . Binary Counter, Direct Clear
- 'LS692 . . . Decade Counter, Synchronous Clear
- 'LS693 . . . Binary Counter, Synchronous Clear

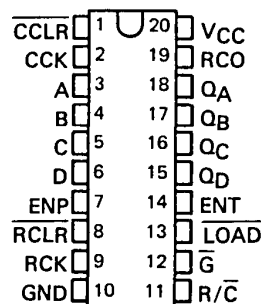
description

These low-power Schottky LSI devices incorporate synchronous counters, four-bit D-type registers, and quadruple two-line to one-line multiplexers with three-state outputs in a single 20-pin package. The counters can be programmed from the data inputs and have enable P inputs and enable T inputs and a ripple-carry output for easy expansion. The register/counter select input, R/C, selects the counter when low or the register when high for the three-state outputs, Q_A, Q_B, Q_C, and Q_D. These outputs are rated at 12 and 24 milliamperes (54LS/74LS) for good bus-driving performance.

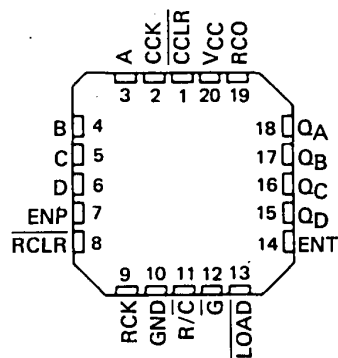
Individual clock and clear inputs are provided for both the counter and the register. Both clock inputs are positive-edge triggered: The clear line is active low and is asynchronous on the 'LS690 and 'LS691, synchronous on the 'LS692 and 'LS693. Loading of the counter is accomplished when $\overline{\text{LOAD}}$ is taken low and a positive-transition occurs on the counter clock CCK.

Expansion is easily accomplished by connecting RCO of the first stage to ENT of the second stage, etc. All ENP inputs can be tied common and used as a master enable or disable control.

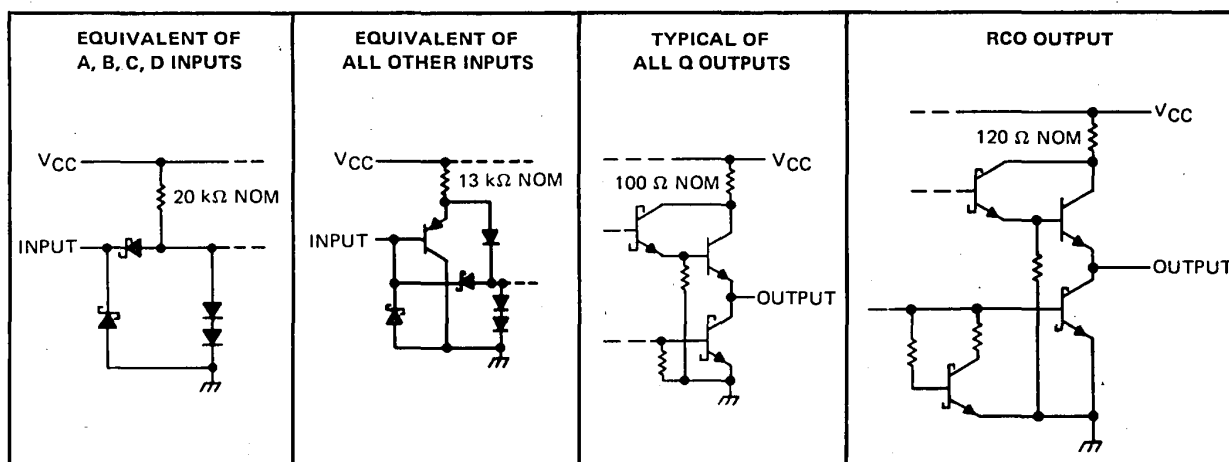
SN54LS690 THRU SN54LS693 . . . J PACKAGE
SN74LS690 THRU SN74LS693 . . . DW, J OR N PACKAGE
(TOP VIEW)



SN54LS690 THRU SN54LS693 . . . FK PACKAGE
SN74LS690 THRU SN74LS693 . . . FN PACKAGE
(TOP VIEW)



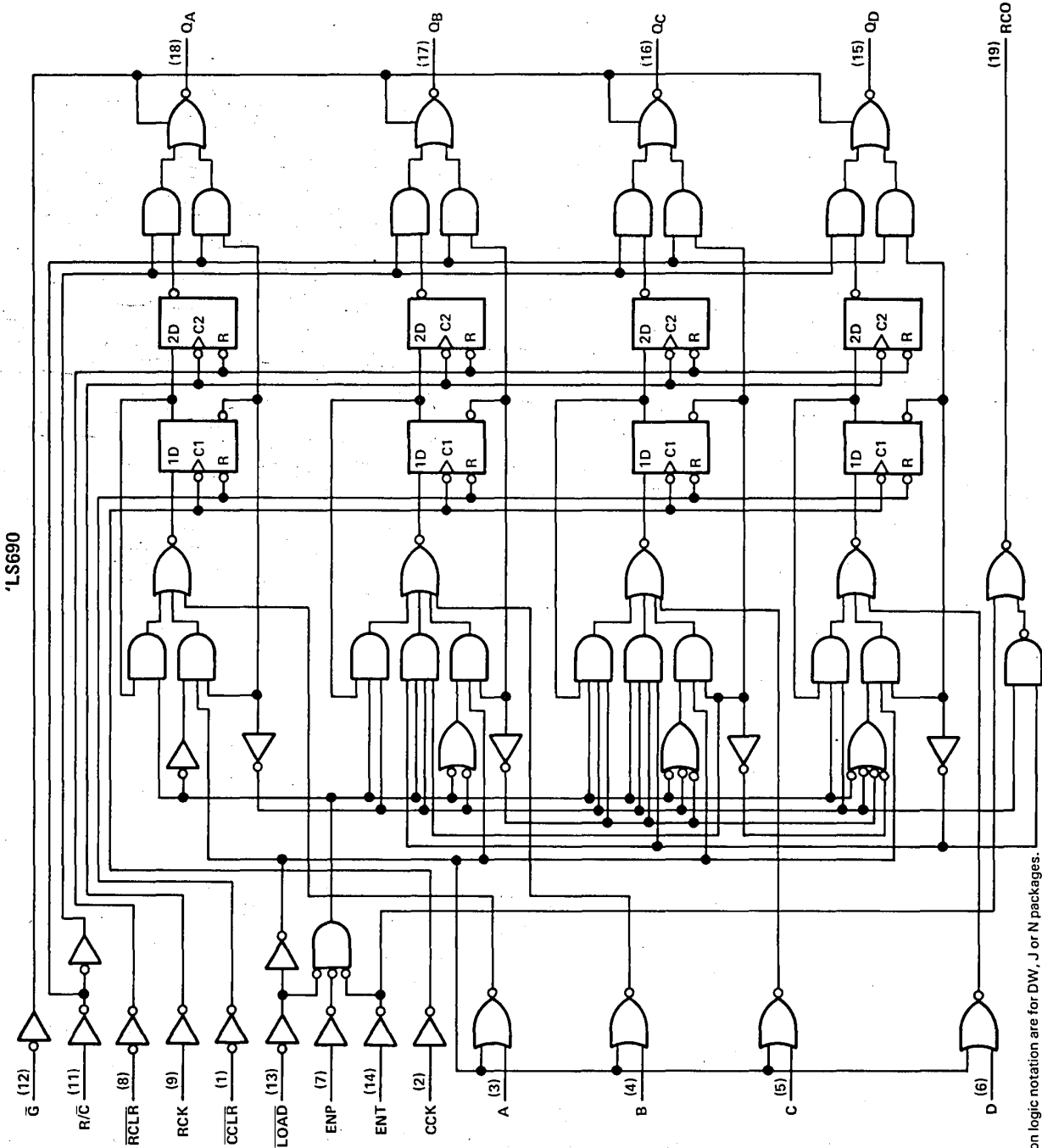
schematics of inputs and outputs



PRODUCTION DATA
This document contains information current as of publication date. Products conform to specifications per the terms of Texas Instruments standard warranty. Production processing does not necessarily include testing of all parameters.

TYPE SN54LS690, SN74LS690
SYNCHRONOUS COUNTERS WITH OUTPUT REGISTERS
AND MULTIPLEXED 3-STATE OUTPUTS

logic diagrams



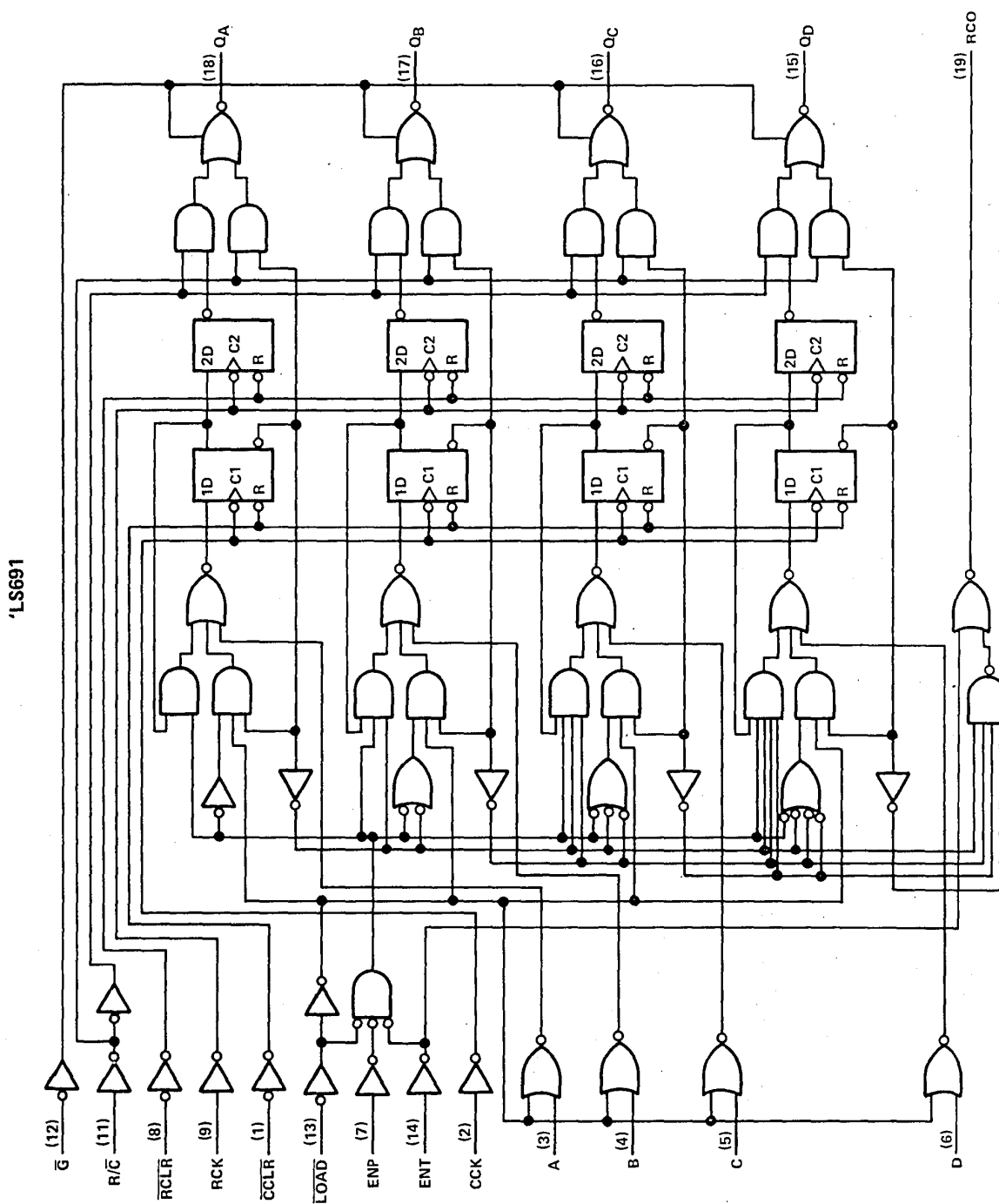
Pin numbers shown on logic notation are for DW, J or N packages.



TTL DEVICES

TYPE SN54LS691, SN74LS691
 SYNCHRONOUS COUNTERS WITH OUTPUT REGISTERS
 AND MULTIPLEXED 3-STATE OUTPUTS

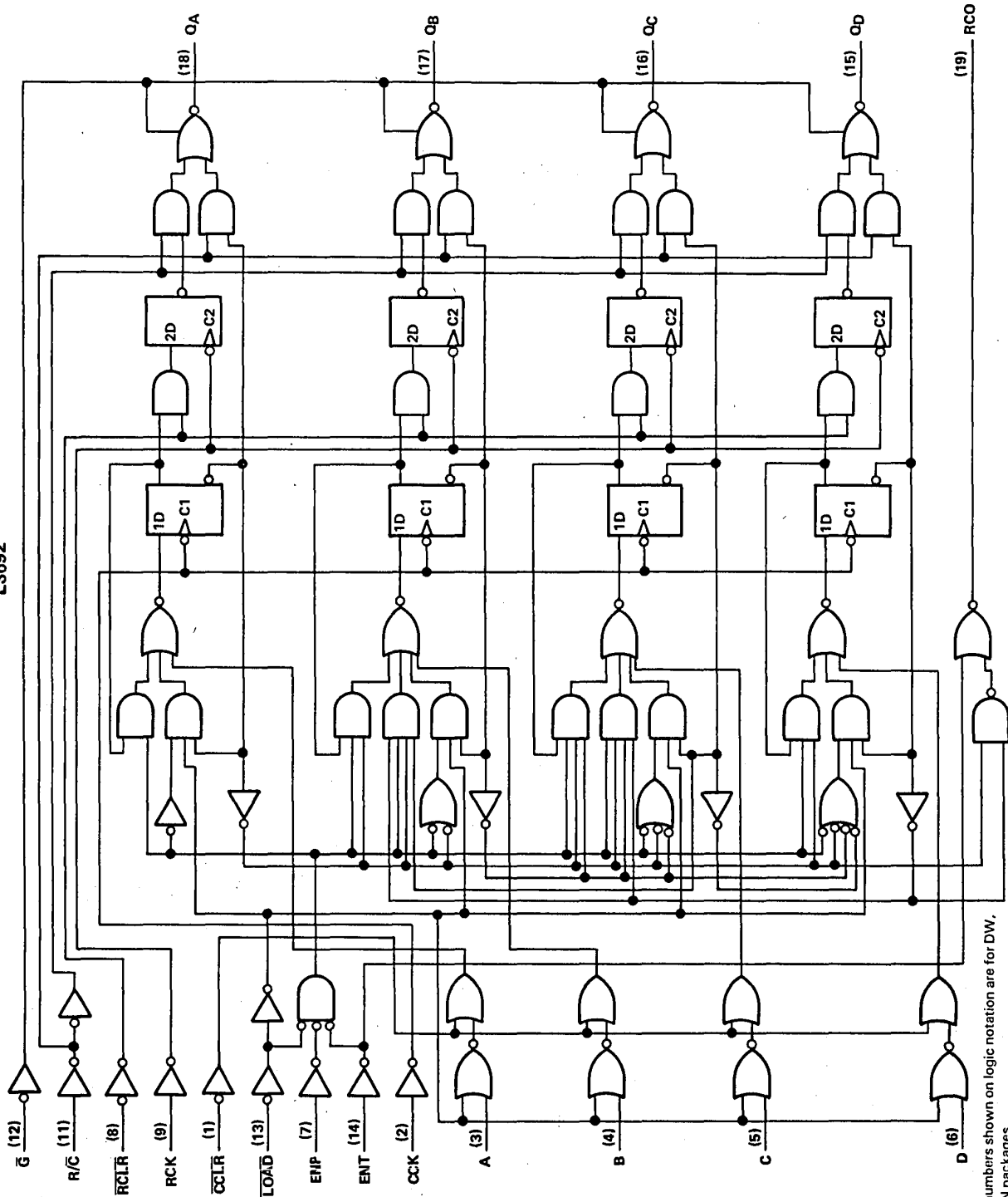
logic diagrams (continued)



Pin numbers shown on logic notation are for DW, J or N packages.

TYPE SN54LS692, SN74LS692
SYNCHRONOUS COUNTERS WITH OUTPUT REGISTERS
AND MULTIPLEXED 3-STATE OUTPUTS

logic diagrams (continued)



Pin numbers shown on logic notation are for DW, J or N packages.



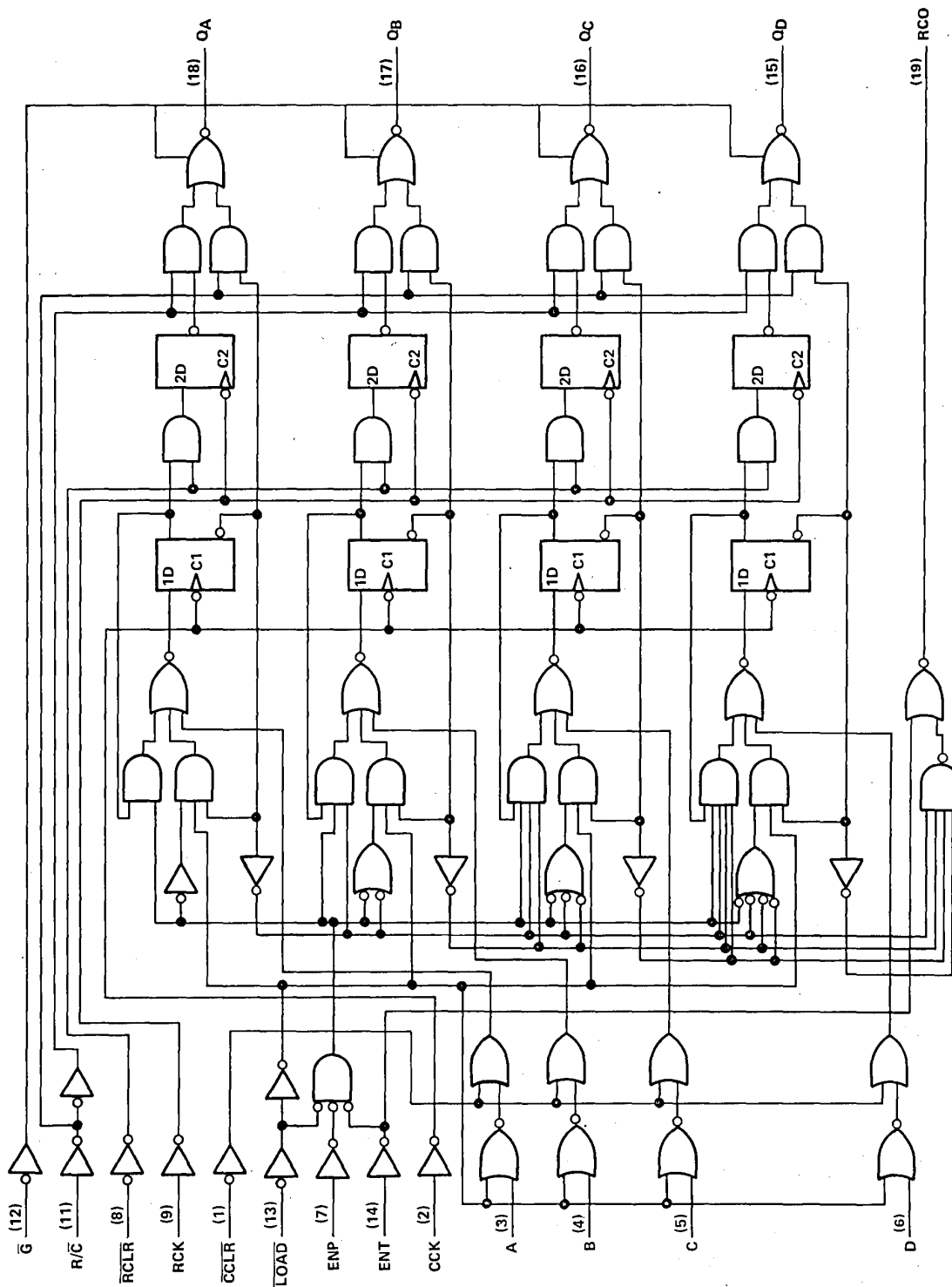
TTL DEVICES

'LS692

TYPE SN54LS693, SN74LS693
 SYNCHRONOUS COUNTERS WITH OUTPUT REGISTERS
 AND MULTIPLEXED 3-STATE OUTPUTS

logic diagrams (continued)

'LS693



Pin numbers shown on logic notation are for DW, J or N packages.



TTL DEVICES

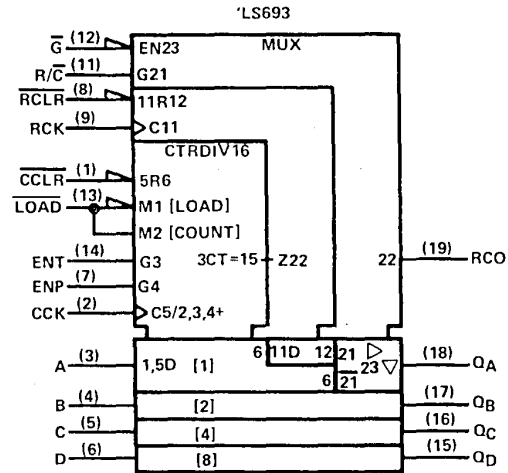
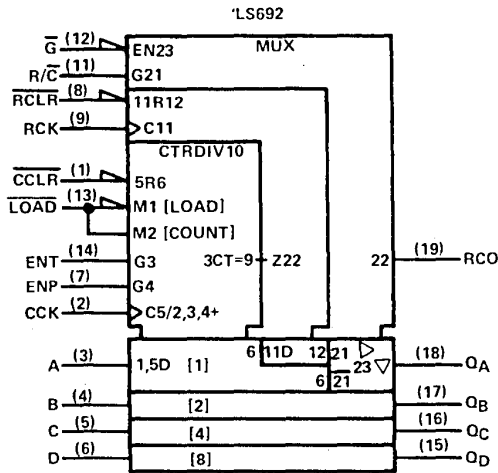
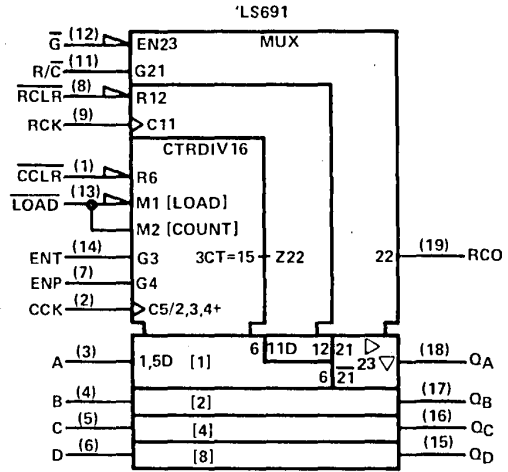
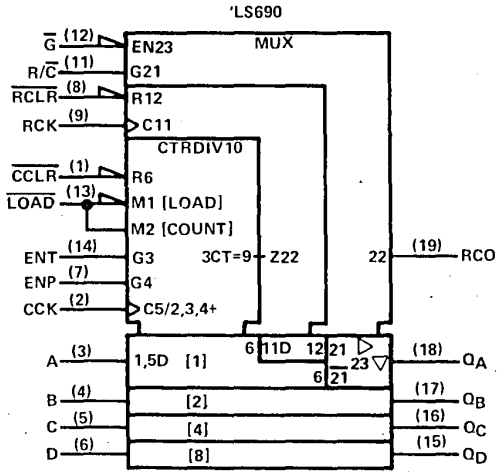
TEXAS INSTRUMENTS

POST OFFICE BOX 225012 • DALLAS, TEXAS 75265

3-1307

**TYPES SN54LS690 THRU SN54LS693, SN74LS690 THRU SN74LS693
 SYNCHRONOUS COUNTERS WITH OUTPUT REGISTERS
 AND MULTIPLEXED 3-STATE OUTPUTS**

logic symbols



Pin numbers shown on logic notation are for DW, J or N packages.

3
TTL DEVICES

TYPES SN54LS690 THRU SN54LS693, SN74LS690 THRU SN74LS693 SYNCHRONOUS COUNTERS WITH OUTPUT REGISTERS AND MULTIPLEXED 3-STATE OUTPUTS

absolute maximum ratings over operating free-air temperature range (unless otherwise noted)

Supply voltage, V_{CC} (see Note 1)	7 V
Input voltage	7 V
Off-state output voltage	5.5 V
Operating free-air temperature range: SN54LS690 thru SN54LS693	-55°C to 125°C
SN74LS690 thru SN74LS693	0°C to 70°C
Storage temperature range	-65°C to 150°C

NOTE 1: Voltage values are with respect to network ground terminal.

recommended operating conditions

		SN54LS'			SN74LS'			UNIT
		MIN	NOM	MAX	MIN	NOM	MAX	
V_{CC}	Supply voltage	4.5	5	5.5	4.75	5	5.25	V
V_{IH}	High-level input voltage	2			2			V
V_{IL}	Low-level input voltage	0.7			0.8			V
I_{OH}	High-level output current	Q	-1		-2.6		mA	
		RCO	-0.4		-0.4		mA	
I_{OL}	Low-level output current	Q	12		24		mA	
		RCO	4		8		mA	
f_{clock}	Clock frequency	CCK	0	20	0	20	MHz	
		RCK	0	20	0	20	MHz	
t_w	Pulse duration	CCK high or low	25		25		ns	
		RCK high or low	25		25			
		'LS690, 'LS691	RCLR low	20		20		
		CCLR low	20		20			
t_{su}	Setup time before CCK ↑	A thru D	30		30		ns	
		ENP or ENT	30		30			
		LOAD ↓	30		30			
		'LS692, 'LS693	CCLR ↓	40		40		
		'LS690, 'LS691	CCLR ↑ inactive	25		25		
t_{su}	Setup time before RCK ↑	CCK ↑ (see Note 2)	30		30		ns	
		'LS690, 'LS691	RCLR ↑ inactive	25		25		
		'LS692, 'LS693	RCLR ↓	20		20		
t_h	Hold time	Any input from CCK ↑ or RCK ↑			0		ns	
T_A	Operating free-air temperature	-55	125		0	70	°C	

NOTE 2: This set up time ensures the register will see stable data from the counter outputs. The clocks may be tied together in which case the register state will be one clock pulse behind the counter.



TTL DEVICES

**TYPES SN54LS690 THRU SN54LS693, SN74LS690 THRU SN74LS693
 SYNCHRONOUS COUNTERS WITH OUTPUT REGISTERS
 AND MULTIPLEXED 3-STATE OUTPUTS**

electrical characteristics over recommended operating free-air temperature range (unless otherwise noted)

PARAMETER	TEST CONDITIONS†	SN54LS'		SN74LS'		UNIT			
		MIN	TYP‡	MAX	MIN		TYP‡	MAX	
V _{IK}	V _{CC} = MIN, I _I = -18 mA			-1.5		-1.5	V		
V _{OH}	Any Q Any Q RCO V _{CC} = MIN, V _{IH} = 2 V, V _{IL} = MAX	I _{OH} = -1 mA		2.4	3.1		V		
		I _{OH} = -2.6 mA				2.4		3.1	
		I _{OH} = -0.4 mA		2.5	3.2	2.7		3.2	
V _{OL}	Any Q Any Q RCO RCO V _{CC} = MIN, V _{IH} = 2 V, V _{IL} = MAX	I _{OL} = 12 mA			0.25	0.4	0.25	0.4	
		I _{OL} = 24 mA					0.35	0.5	
		I _{OL} = 4 mA			0.25	0.4	0.25	0.4	
		I _{OL} = 8 mA					0.35	0.5	
I _{OZH}	Any Q V _{CC} = MAX, V _{IH} = 2 V, V _{IL} = MAX, V _O = 2.7 V					20	20	μA	
I _{OZL}	Any Q V _{CC} = MAX, V _{IH} = 2 V, V _{IL} = MAX, V _O = 0.4 V					-20	-20	μA	
I _I	V _{CC} = MAX, V _I = 7 V			0.1		0.1		mA	
I _{IH}	V _{CC} = MAX, V _I = 2.7 V			20		20		μA	
I _{IL}	A thru D	V _{CC} = MAX, V _I = 0.4 V				-0.4		-0.4	mA
	All others					-0.2		-0.2	
I _{OS} §	Any Q RCO V _{CC} = MAX, V _O = 0 V			-30	-130	-30	-130		
				-20	-100	-20	-100		
I _{CCH}	V _{CC} = MAX, All outputs open	See Note 3		46	65	46	65	mA	
I _{CCL}		See Note 4		48	70	48	70		
I _{CCZ}		See Note 5		48	70	48	70		

† For conditions shown as MIN or MAX, use the appropriate value specified under recommended operating conditions.

‡ All typical values are at V_{CC} = 5 V, T_A = 25°C.

§ Not more than one output should be shorted at a time and duration of short-circuit should not exceed one second.

- NOTES: 3. I_{CCH} is measured after two 4.5 V to 0-V to 4.5-V pulses have been applied to CCK and RCK while \bar{G} is grounded and all other inputs are at 4.5 V.
4. I_{CCL} is measured after two 0-V to 4.5-V to 0-V pulses have been applied to CCK and RCK while all other inputs are grounded.
5. I_{CCZ} is measured after two 0-V to 4.5-V to 0-V pulses have been applied to CCK and RCK while \bar{G} is at 4.5 V and all other inputs are grounded.

**TYPES SN54LS690 THRU SN54LS693, SN74LS690 THRU SN74LS693
SYNCHRONOUS COUNTERS WITH OUTPUT REGISTERS
AND MULTIPLEXED 3-STATE OUTPUTS**

switching characteristics, $V_{CC} = 5\text{ V}$, $T_A = 25^\circ\text{C}$ (see note 6)

PARAMETER	FROM (INPUT)	TO (OUTPUT)	TEST CONDITIONS	'LS690, 'LS691			'LS692, 'LS693			UNIT	
				MIN	TYP	MAX	MIN	TYP	MAX		
t_{PLH}	CCK↑	RCO	$R_L = 2\text{ k}\Omega$, $C_L = 15\text{ pF}$		23	40		23	40	ns	
t_{PHL}					23	40		23	40		
t_{PLH}	ENT	RCO			13	20		13	20	ns	
t_{PHL}					13	20		13	20		
t_{PLH}	CCK↑	Q	$R_L = 667\ \Omega$, $C_L = 45\text{ pF}$		12	20		12	20	ns	
t_{PHL}					17	25		17	25		
t_{PLH}	RCK↑	Q			12	20		12	20	ns	
t_{PHL}					17	25		17	25		
t_{PHL}	$\overline{\text{CCLR}}\downarrow$	Q			23	40				ns	
t_{PHL}	$\overline{\text{RCLR}}\downarrow$	Q			20	30				ns	
t_{PLH}	R/ $\overline{\text{C}}$	Q			16	25		16	25	ns	
t_{PHL}					16	25		16	25		
t_{PZH}	$\overline{\text{G}}\downarrow$	Q			19	30		19	30	ns	
t_{PZL}					19	30		19	30		
t_{PHZ}	$\overline{\text{G}}\uparrow$	Q		$R_L = 667\ \Omega$, $C_L = 5\text{ pF}$		17	30		17	30	ns
t_{PLZ}						17	30		17	30	

NOTE 6: See General Information Section for load circuits and voltage waveforms.

- t_{PLH} ≡ Propagation delay time, low-to-high-level output
- t_{PHL} ≡ Propagation delay time, high-to-low-level output
- t_{PZH} ≡ Output enable time to high level
- t_{PZL} ≡ Output enable time to low level
- t_{PHZ} ≡ Output disable time from high level
- t_{PLZ} ≡ Output disable time from low level

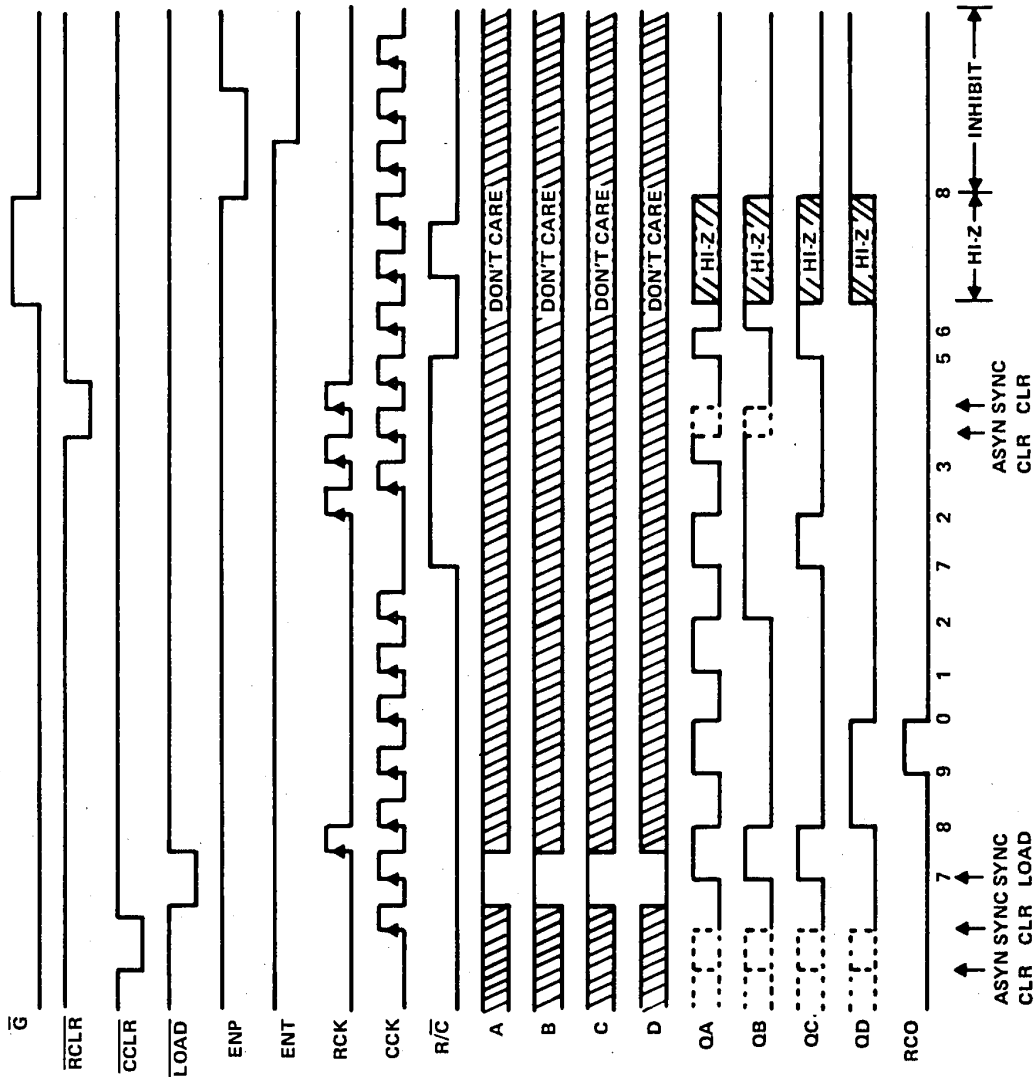
TYPES SN54LS690, SN54LS692, SN74LS690, SN74LS692
 SYNCHRONOUS COUNTERS WITH OUTPUT REGISTERS
 AND MULTIPLEXED 3-STATE OUTPUTS

typical operating sequences

3

TTL DEVICES

'LS690 DECADE COUNTER, Asynchronous Clear
 'LS692 DECADE COUNTER, Synchronous Clear



TYPES SN54LS691, SN54LS693, SN74LS691, SN74LS693
 SYNCHRONOUS COUNTERS WITH OUTPUT REGISTERS
 AND MULTIPLEXED 3-STATE OUTPUTS

typical operating sequences (continued)

